

**SECTION 3****DRILL FEED  
GLISSIERE**

<b>DRAWING NUMBER REFERENCE PLAN</b>	<b>MODIF. MODIF.</b>	<b>DESIGNATION DESCRIPTION</b>	<b>BILL OF MATERIAL NOMENCLATURE</b>
<b>7701 1664</b>	@	LHF2005 HLX5 LC11 T38 DRILL FEED <i>GLISSIÈRE LHF2005 HLX5 LC11 T38</i>	<b>7701 1664</b>
<b>7702 2320</b>	@.5	STINGER EXTENSION LHF <i>EXTENSION ÉTANÇON LHF</i>	<b>7702 2320</b>
<b>5516 1320</b>	@	JOINED PIECES <i>PIECES DE LIAISON</i>	<b>5516 1320</b>



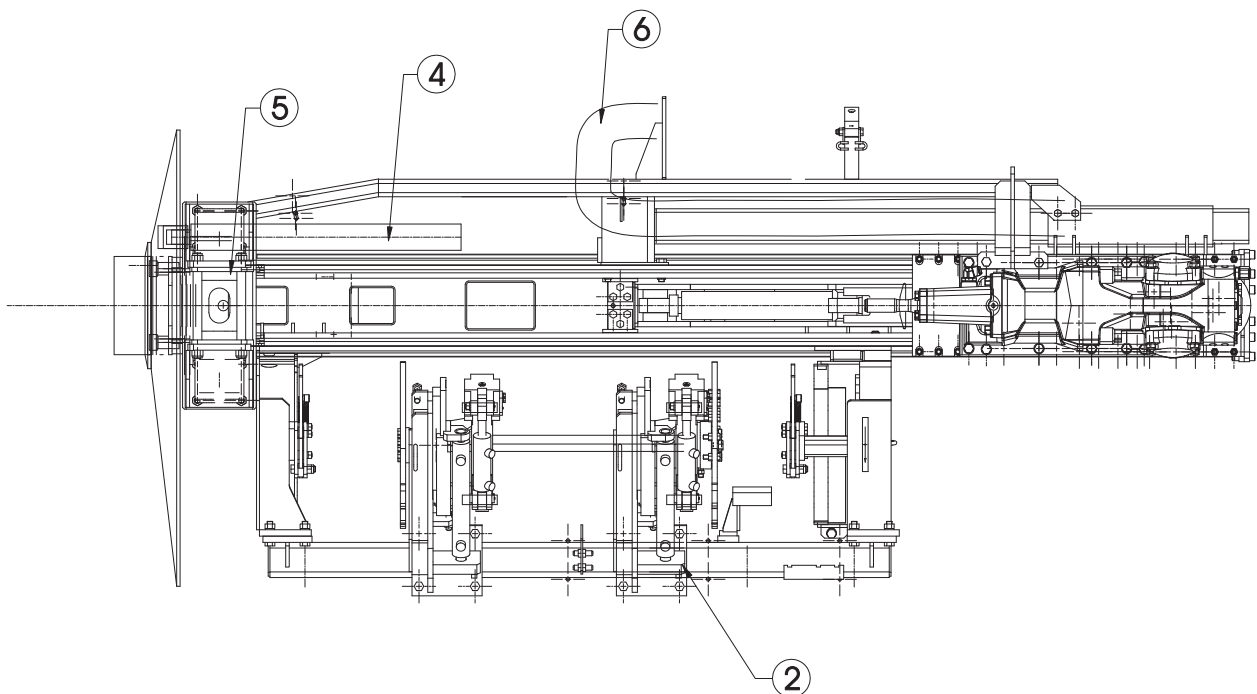
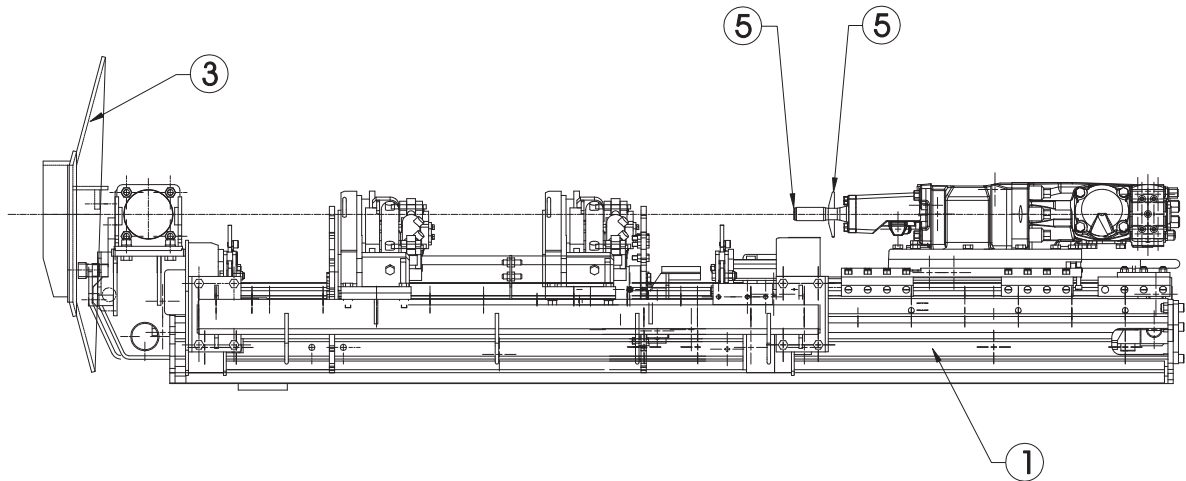
**LHF2005 HLX5 LC11 T38 DRILL FEED**  
**GLISSIÈRE LHF2005 HLX5 LC11 T38**  
**7701 1664**

# **SPARE PARTS**

7701 1664

**LHF2005 HLX5 LC11 T38 DRILL FEED  
GLISSIÈRE LHF2005 HLX5 LC11 T38**

@



**7701 1664 LHF2005 HLX5 LC11 T38 DRILL FEED**  
**GLISSIÈRE LHF2005 HLX5 LC11 T38**

@

REP. ITEM	REFERENCE PART NB.	QTE. QTY.	DESIGNATION	DESCRIPTION
1	<b>77009677</b>	1	LHF2005 HLX5 DRILL FEED	GLISSIÈRE LHF2005 HLX5
2	<b>77011666</b>	1	LC11 ROD MAGAZINE	MAGASIN A BARRES LC11
3	<b>77009525</b>	1	LHF FRONT PROTECTOR	PROTECTEUR AVANT LHF
4	<b>78310178</b>	1	FRONT STINGER	ETANCON AVANT
5	<b>77017679</b>	1	DRILLING PARTS SET	LOT MODE DE FORATION
6	<b>77010127</b>	1	LHF2005 HOSES EQUIPMENT	ÉQUIPEMENT FLEXIBLES LHF2005

**Bold Part Nb: Separate parts list / Référence en gras: Nomenclature séparée**

# TABLE OF CONTENTS

## TABLE DES MATIERES

<b>1</b>	<b>7700 9677</b>	<b>LHF2005 HLX5 DRILL FEED GLISSIÈRE LHF2005 HLX5</b>	<b>A.11</b>	<b>7</b>
1/1	7804 2765	LHF MOUNTING ELEMENTS ÉLÉMENTS D'ASSEMBLAGE LHF	@.31	9
1/1/1	7631 6445	CYLINDER D:63/45 S:833 VÉRIN D:63/45 C:833	@.7	11
1/1/2	7631 6448	CYLINDER D:63/45 S:1343 VÉRIN D:63/45 C:1343	@.8	13
1/2	7700 9676	<b>SPECIFIC PARTS PIÈCES SPÉCIFIQUES</b>	<b>@.9</b>	<b>15</b>
1/2/1	7700 9673	LHF 5' BEAM POUTRE LHF 5'	@.8	17
1/3	7807 0028	<b>FCC3 ROD CLAMP PINCE MECHE FCC3</b>	<b>@.11</b>	<b>19</b>
1/4	7840 7088	<b>EXPANDABLE PIN D:40 AXE A CONE D:40</b>	<b>@.9</b>	<b>21</b>
1/5	7700 9498	<b>LHF STINGER ASSEMBLY ETANÇON ÉQUIPÉ LHF</b>	<b>@.10</b>	<b>23</b>
1/5/1	7631 5580	CYLINDER D:50/36 S:1200 VÉRIN D:50/36 C:1200	@.7	25
1/6	7700 9432	<b>LHF DRILL CARRIAGE ASSEMBLY CHARIOT ÉQUIPÉ LHF</b>	<b>A</b>	<b>27</b>
1/7	7832 0535	<b>FLOW DIVIDER ASSEMBLY DIVISEUR DE DÉBIT ASSEMBLÉ</b>	<b>@.10</b>	<b>29</b>
1/7/1	7832 2057	FLOW DIVIDER PARTS SET LOT PIÈCES DIVISEUR	@.5	31
<b>2</b>	<b>7701 1666</b>	<b>LC11 ROD MAGAZINE MAGASIN A BARRES LC11</b>	<b>@.26</b>	<b>33</b>
2/1	7700 9457	<b>LC11 ROD HANDLER MANIPULATEUR DE BARRES LC11</b>	<b>@.27</b>	<b>37</b>
2/1/1	7701 6101	CYLINDER D:50/22 S:65 VÉRIN D:50/22 C:65	B	39
2/1/2	7936 0082	FLANGE BRIDE	@.7	41
2/1/3	7959 0313	SLIDER BRACKET SUPPORT COULISSEAU	@.5	43
2/1/4	7840 7089	<b>EXPANDABLE PIN D:20 AXE À CONE D:20</b>	<b>@.10</b>	<b>45</b>
2/1/5	7700 9467	CYLINDER D:40/22 S:255 VÉRIN D:40/22 C:255	@.11	47



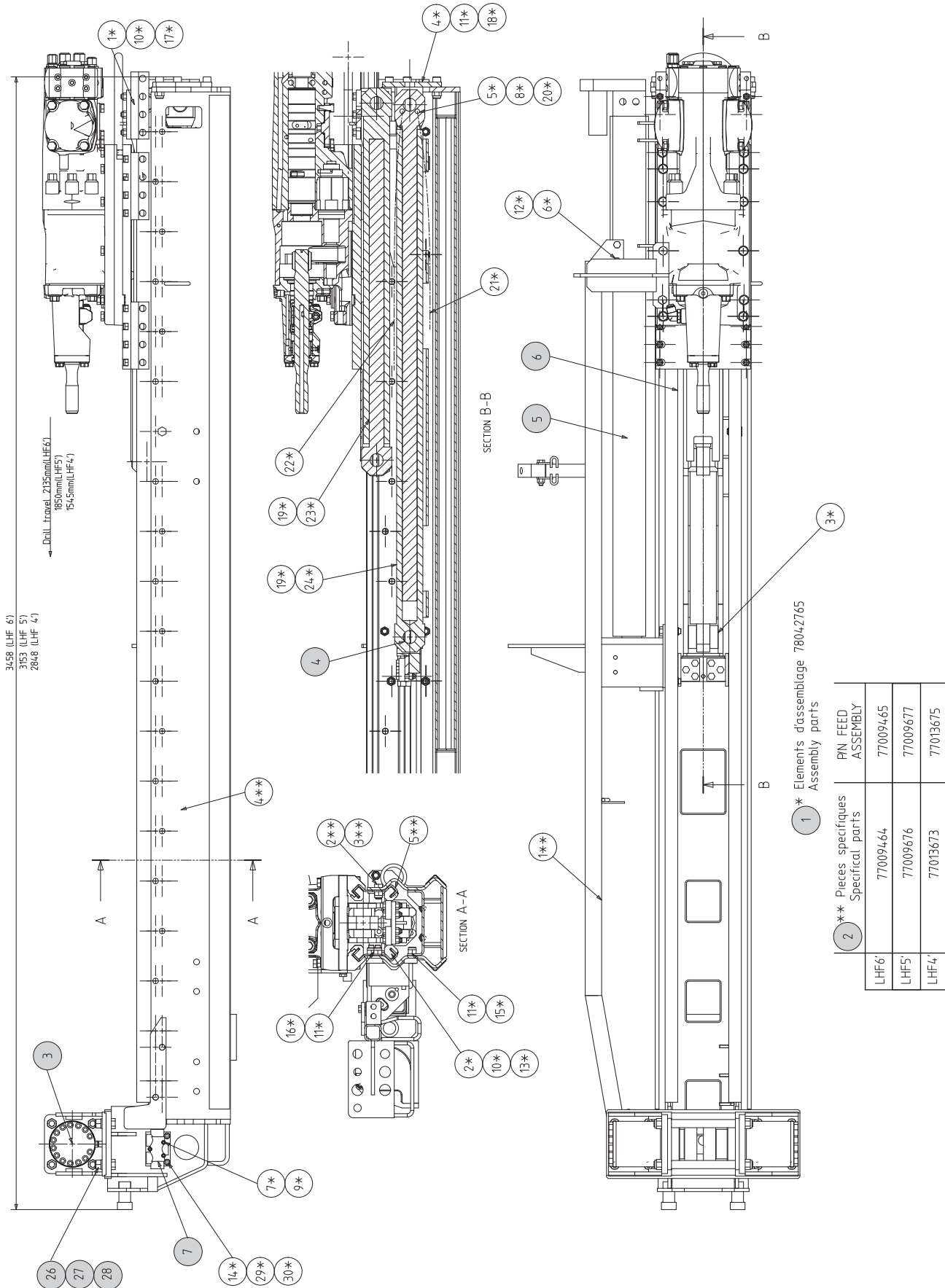
## TABLE OF CONTENTS TABLE DES MATIERES

2/2	7700 6254	360° LC10 ROTARY ACTUATOR VÉRIN ROTATIF 360° LC10	@.12	49
2/3	7701 1617	LC11 T38 ADAPTATION KIT KIT ADAPTATION LC11 T38	@.6	51
2/4	7701 4849	COUNTERBALANCE VALVE ASSEMBLY VALVE D'EQUILIBRAGE ÉQUIPÉE	@.7	53
<b>3</b>	<b>7700 9525</b>	<b>LHF FRONT PROTECTOR PROTECTEUR AVANT LHF</b>	<b>@.19</b>	<b>55</b>
<b>4</b>	<b>7831 0178</b>	<b>FRONT STINGER ETANÇON AVANT</b>	<b>@.16</b>	<b>57</b>
4/1	7631 6460	CYLINDER D:63/45 S:600 VÉRIN D:63/45 C:600	@.7	59
<b>5</b>	<b>7701 7679</b>	<b>DRILLING PARTS SET LOT MODE DE FORATION</b>	<b>@.5</b>	<b>61</b>
<b>6</b>	<b>7701 0127</b>	<b>LHF 2005 HOSES EQUIPMENT ÉQUIPEMENT FLEXIBLES LHF 2005</b>	<b>A.3</b>	<b>63</b>
6/1	7701 0129	DRILL FEED HOSES SET LOT DE FLEXIBLES GLISSIÈRE	A.13	65
6/2	7701 0074	PARTS SET LOT DE PIÈCES	A.14	67

7700 9677

LHF2005 HLX5 DRILL FEED  
GLISSIÈRE LHF2005 HLX5

A.11





**1 7700 9677****LHF2005 HLX5 DRILL FEED  
GLISSIÈRE LHF2005 HLX5****A.11**

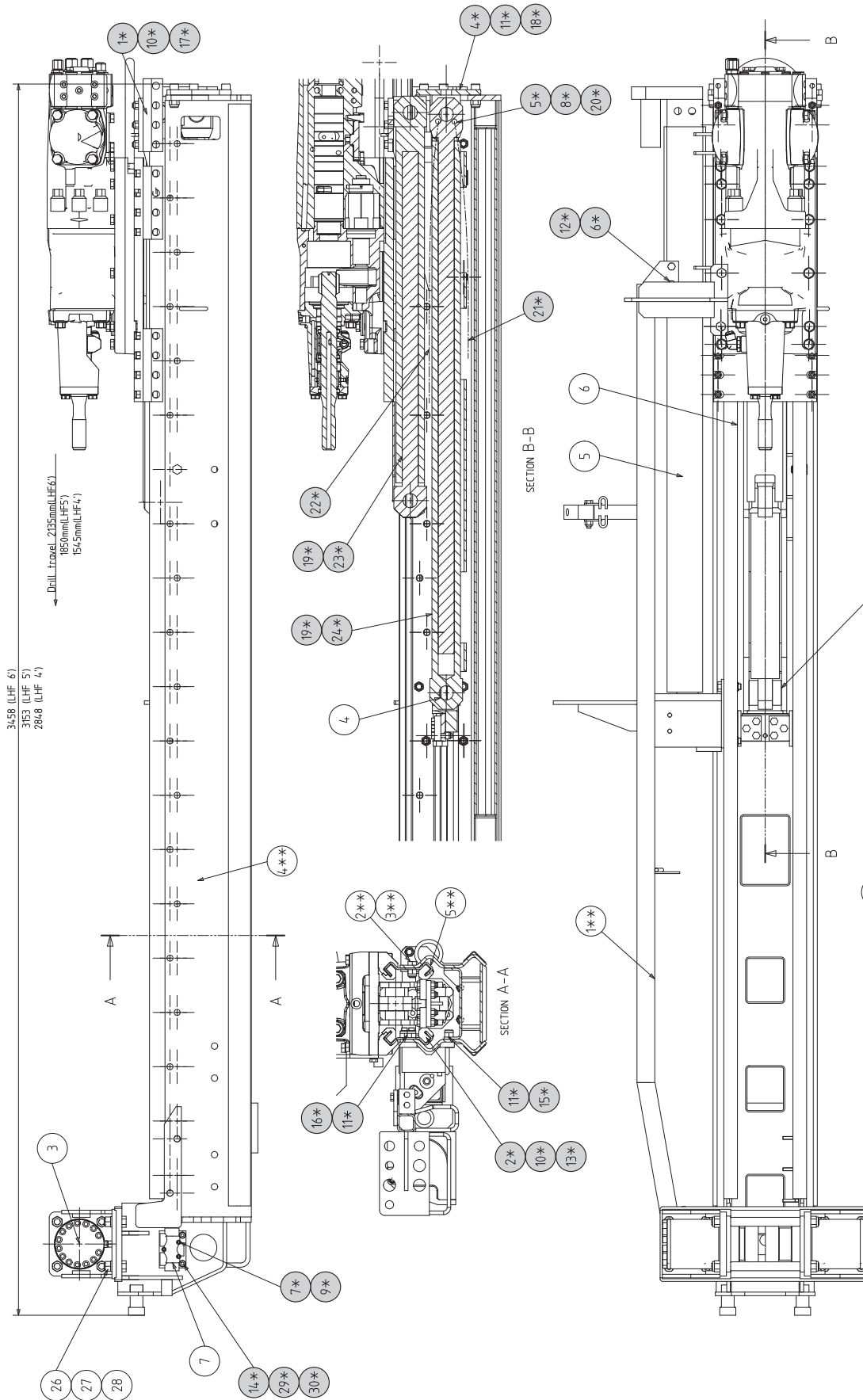
<b>REP. ITEM</b>	<b>REFERENCE PART NB.</b>	<b>QTE. QTY.</b>	<b>DESIGNATION</b>	<b>DESCRIPTION</b>
1	<b>78042765</b>	1	LHF MOUNTING ELEMENTS	ÉLÉMENTS D'ASSEMBLAGE LHF
2	<b>77009676</b>	1	SPECIFIC PARTS	PIÈCES SPÉCIFIQUES
3	<b>78070028</b>	1	FCC3 ROD CLAMP	PINCE MECHE FCC3
4	<b>78407088</b>	4	EXPANDABLE PIN D:40	AXE A CONE D:40
5	<b>77009498</b>	1	LHF STINGER ASSEMBLY	ETANCON ÉQUIPÉ LHF
6	<b>77009432</b>	1	LHF DRILL CARRIAGE ASSEMBLY	CHARIOT ÉQUIPÉ LHF
7	<b>78320535</b>	1	FLOW DIVIDER ASSEMBLY	DIVISEUR DE DÉBIT ASSEMBLÉ
26	73700709	8	SCREW H M18x50	VIS H M18x50
27	55052931	8	WASHER M18 SP NORD LOCK	RONDELLE M18 SP NORD LOCK
28	80227689	8	NUT H M18	ÉCROU H M18

**Bold Part Nb: Separate parts list / Référence en gras: Nomenclature séparée**

7804 2765

LHF MOUNTING ELEMENTS  
ÉLÉMENTS D'ASSEMBLAGE LHF

@.31



1 \* Elements d'assemblage 7804.2765  
Assembly parts

	PIECES SPECIFIQUES ASSEMBLY	PIN FEED ASSEMBLY
LHF6	77009464	77009465
LHF5	77009676	77009677
LHF4	77013673	77013675

2 \*\* Pieces specifiques  
Specific parts



SANDVIK MINING AND CONSTRUCTION LYON S.A.S.  
19, av. De Lattre de Tassigny  
B.P. 46 - 69881 MEYZIEU cedex, FRANCE  
Tel: +33 (0)4 72 45 22 00 Fax: +33 (0)4 78 31 79 80

0/1/

7804 2765

**LHF MOUNTING ELEMENTS  
ÉLÉMENTS D'ASSEMBLAGE LHF**

@.31

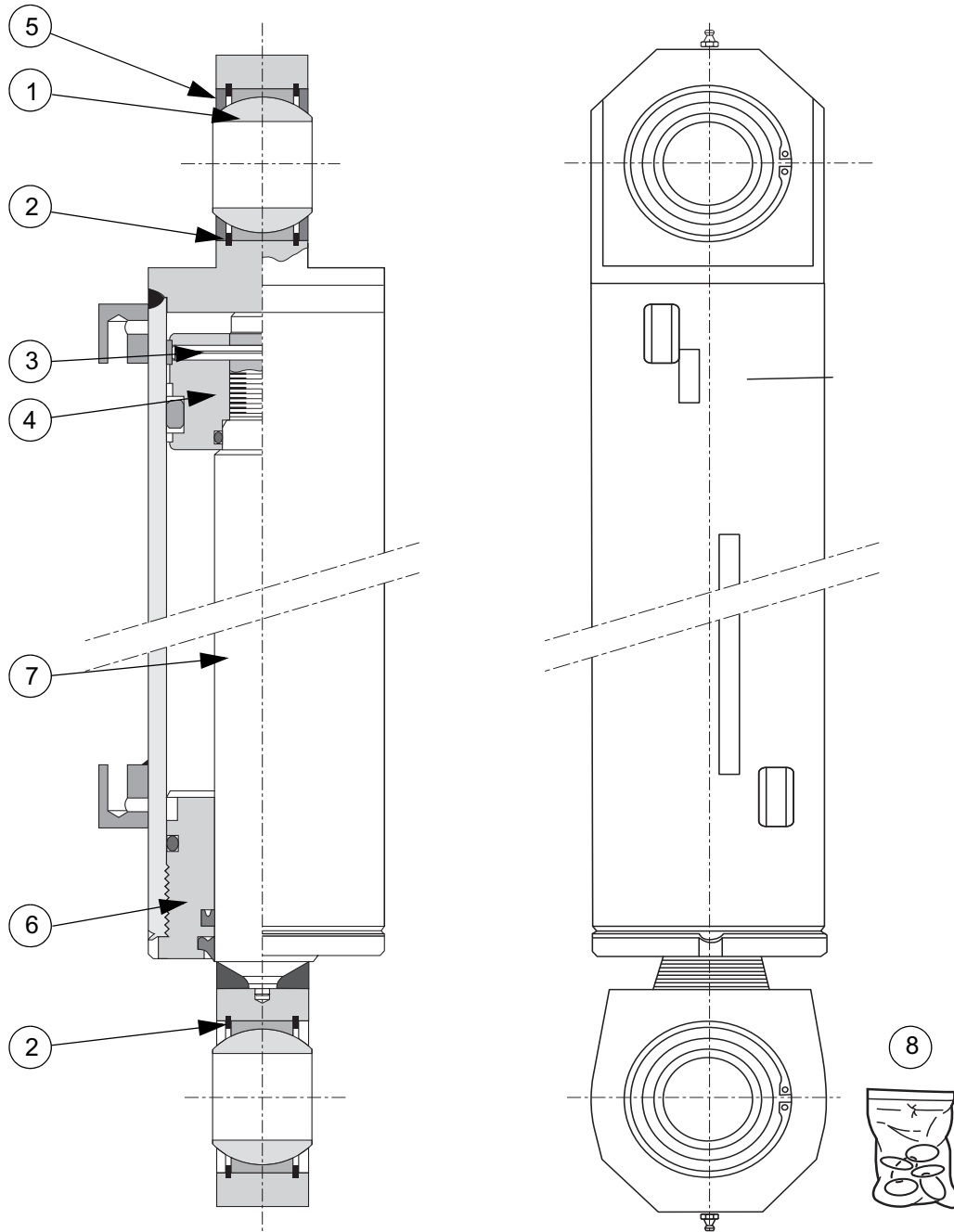
REP. ITEM	REFERENCE PART NB.	QTE. QTY.	DESIGNATION	DESCRIPTION
1	70450667	2	SKID LG:205	PATIN LG:205
2	70450668	2	SKID LG:100	PATIN LG:100
3	70520185	1	CRADLE	BERCEAU
4	70541255	1	CYLINDER YOKE	CHAPE VÉRIN
5	70801206	2	FITTING M/M 7/8JIC-9/16SAE LG:115.5	ADAPTEUR M/M 7/8JIC-9/16SAE LG:115,5
6	85106809	2	WASHER M12 NORD LOCK	RONDELLE M12 NORD LOCK
7	85323979	3	WASHER M6 NORD LOCK	RONDELLE M6 NORD LOCK
8	73414176	2	O-RING NITRIL 1.98x11.9	JOINT TORIQUE NITRIL 1,98x11,9
9	73702155	3	SCREW CHC M5x55	VIS CHC M5x55
10	73692715	12	NUT HFR M12 THREAD:175	ÉCROU HFR M12 PAS:175
11	73692723	14	NUT HFR M16	ÉCROU HFR M16
12	80046589	2	SCREW H M12x25	VIS H M12x25
13	73700408	6	SCREW H M12x50	VIS H M12x50
14	44581150	2	VIS CHC M10x80	VIS CHC M10x80
15	44221850	4	SCREW H M16x40	VIS H M16x40
16	44263880	4	SCREW H M16x55	VIS H M16x55
17	73702419	6	SCREW CHC M12x55	VIS CHC M12x55
18	73702612	6	SCREW CHC M16x45	VIS CHC M16x45
19	86716379	4	STRAIGHT FITTING M/M 9/16JIC-9/16SAE	ADAPTEUR DROIT M/M 9/16JIC-9/16SAE
20	81670909	2	90° FITTING M/F 7/8JIC	ADAPTEUR 90° M/F 7/8JIC
21	73827108	1	HOSE 2SC M6 LG:650	FLEXIBLE 2SC M6 LG:650
22	73827110	1	HOSE 2SC M6 LG:1350	FLEXIBLE 2SC M6 LG:1350
23	<b>76316445</b>	1	CYLINDER D:63/45 s:833	VÉRIN D:63/45 C:833
24	<b>76316448</b>	1	CYLINDER D:63/45 s:1343	VÉRIN D:63/45 C:1343
29	85128209	4	WASHER M10 NORD LOCK	RONDELLE M10 NORD LOCK
30	80082019	2	NUT H M10	ÉCROU H M10

**Bold Part Nb: Separate parts list / Référence en gras: Nomenclature séparée**

7631 6445

**CYLINDER D:63/45 S:833**  
**VÉRIN D:63/45 C:833**

@.7



0/0/1

7631 6445

CYLINDER D:63/45 S:833

@.7

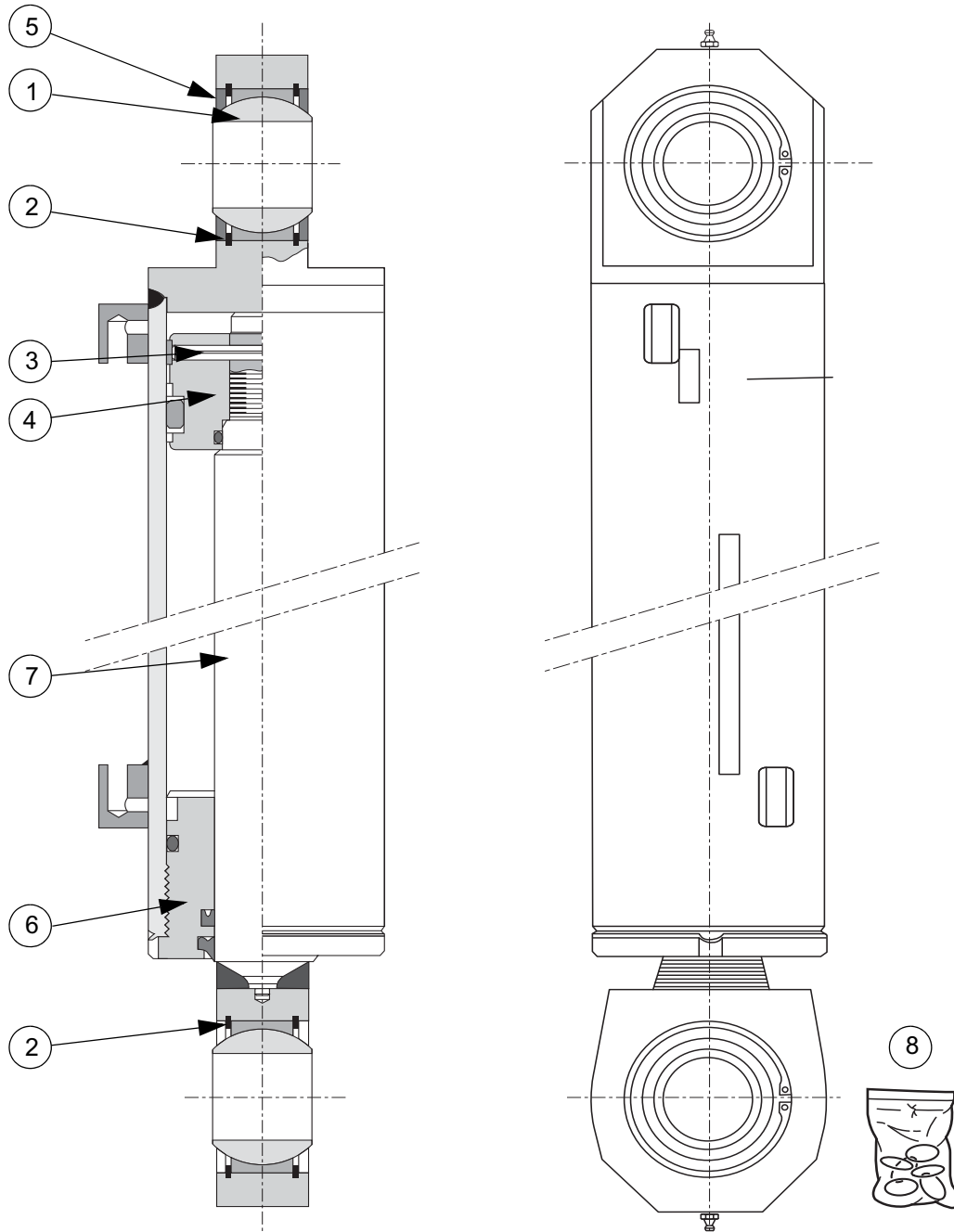
VÉRIN D:63/45 C:833

REP. ITEM	REFERENCE PART NB.	QTE. QTY.	DESIGNATION	DESCRIPTION
1	81775009	2	BALL JOINT	ROTULE
2	73400168	4	INNER CIRCLIP D:68	CIRCLIPS INTÉRIEUR D:68
3	73730182	1	ELASTIC PIN 4X40	GOUPILLE ÉLASTIQUE 4X40
4	75133169	1	PISTON	PISTON
5	75393019	4	DUST PROTECTOR	PROTECTEUR
6	75463383	2	GUIDE ROD	GUIDE TIGE
7	75629853	1	CYLINDER ROD	TIGE DE VÉRIN
8	78401306	1	SEAL KIT	KIT DE JOINTS

7631 6448

**CYLINDER D:63/45 S:1343**  
**VÉRIN D:63/45 C:1343**

@.8



0/0/1

7631 6448

CYLINDER D:63/45 S:1343

@.8

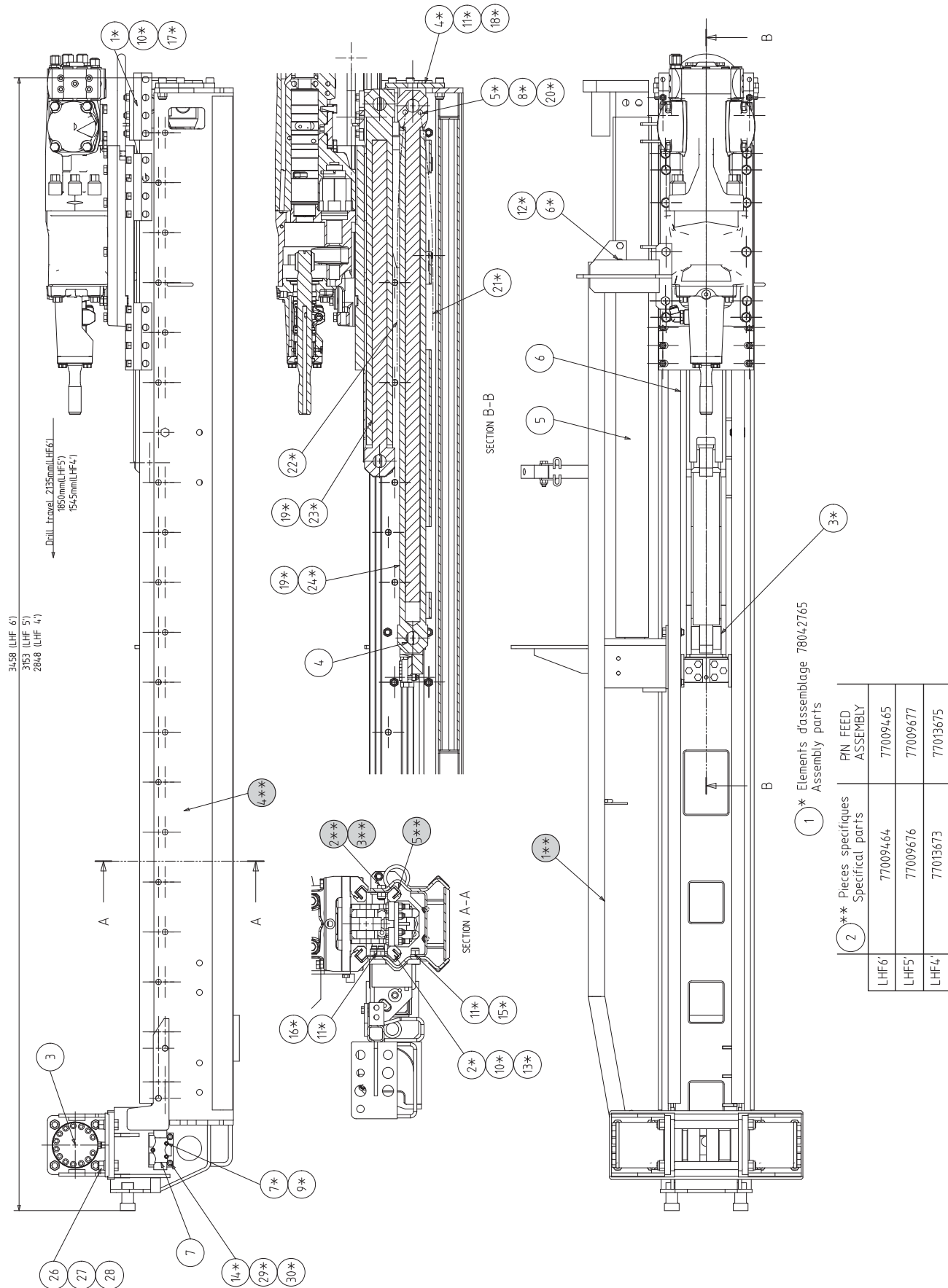
VÉRIN D:63/45 C:1343

REP. ITEM	REFERENCE PART NB.	QTE. QTY.	DESIGNATION	DESCRIPTION
1	81775009	2	BALL JOINT	ROTULE
2	73400168	4	INNER CIRCLIP D:68	CIRCLIPS INTÉRIEUR D:68
3	73730182	1	ELASTIC PIN 4X40	GOUPILLE ÉLASTIQUE 4X40
4	75133169	1	PISTON	PISTON
5	75393019	4	DUST PROTECTOR	PROTECTEUR
6	75463383	2	GUIDE ROD	GUIDE TIGE
7	75628874	1	CYLINDER ROD	TIGE DE VÉRIN
8	78401306	1	SEAL KIT	KIT DE JOINTS

7700 9676

**SPECIFIC PARTS**  
**PIÈCES SPÉCIFIQUES**

@.9





0/1/

7700 9676

**SPECIFIC PARTS  
PIÈCES SPÉCIFIQUES**

@.9

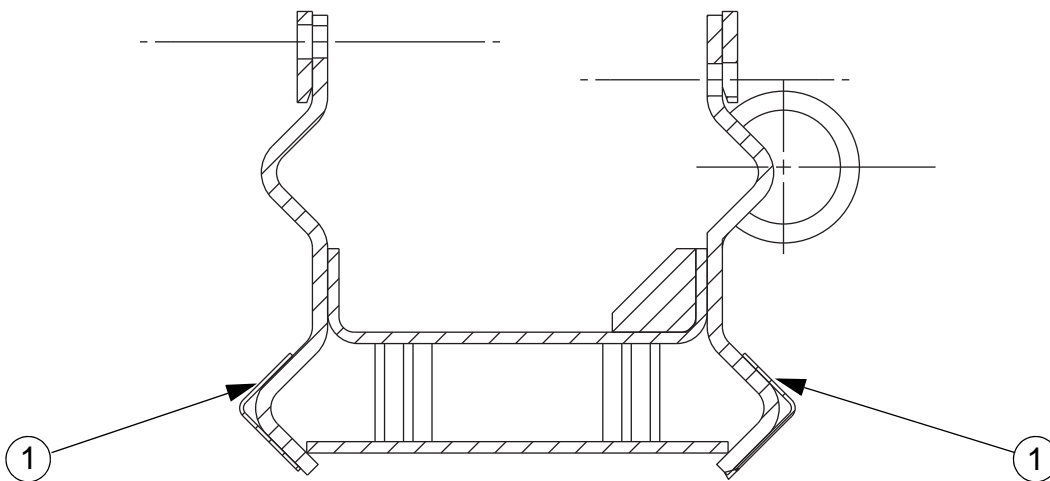
<b>REP. ITEM</b>	<b>REFERENCE PART NB.</b>	<b>QTE. QTY.</b>	<b>DESIGNATION</b>	<b>DESCRIPTION</b>
1	77009675	1	FLANGE	BRIDE
2	73692723	32	NUT HFR M16	ÉCROU HFR M16
3	80053739	32	SCREW H M16X35	VIS H M16X35
4	<b>77009673</b>	1	LHF 5' BEAM	POUTRE LHF 5'
5	77009674	2	RAIL	RAIL

**Bold Part Nb: Separate parts list / Référence en gras: Nomenclature séparée**

**7700 9673**

**LHF 5' BEAM  
POUTRE LHF 5'**

**@.8**



**0/0/1      7700 9673****LHF 5' BEAM  
POUTRE LHF 5'****@.8**

---

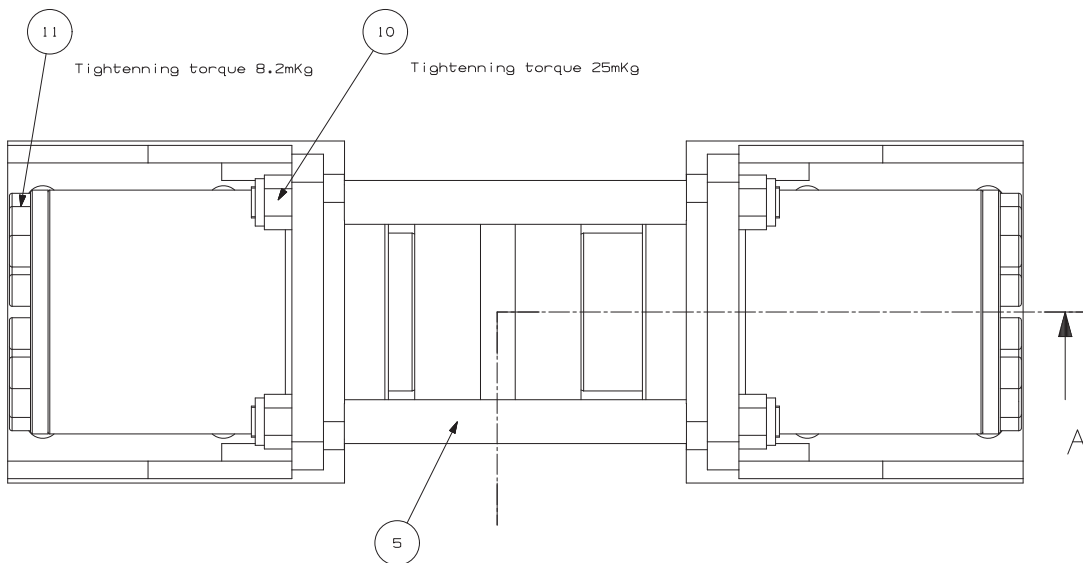
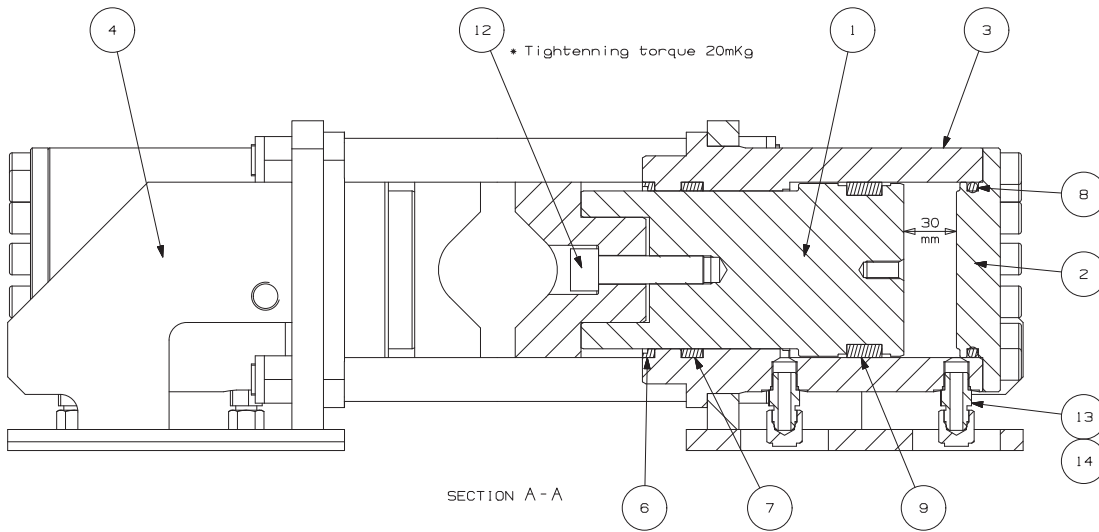
<b>REP. REFERENCE</b>	<b>QTE.</b>	<b>DESIGNATION</b>	<b>DESCRIPTION</b>
<b>ITEM PART NB.</b>	<b>QTY.</b>		
1	20894493	2 RAIL	RAIL

---

**7807 0028**

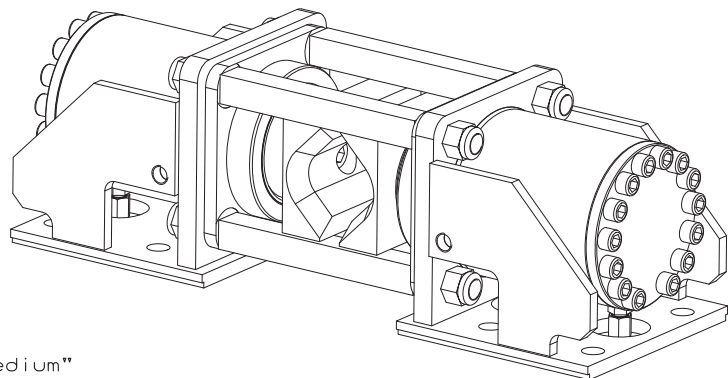
**FCC3 ROD CLAMP  
PINCE MECHE FCC3**

**@.11**



half guide		
ROD	Coupling	Ref
R32	ø45	70460649
T38	ø56	70460698
T45	ø63	70460775

NOT INCLUDED



\* Assembled with "Loctite screw lock medium"



SANDVIK MINING AND CONSTRUCTION LYON S.A.S.  
 19, av. De Lattre de Tassigny  
 B.P. 46 - 69881 MEYZIEU cedex, FRANCE  
 Tel: +33 (0)4 72 45 22 00 Fax: +33 (0)4 78 31 79 80

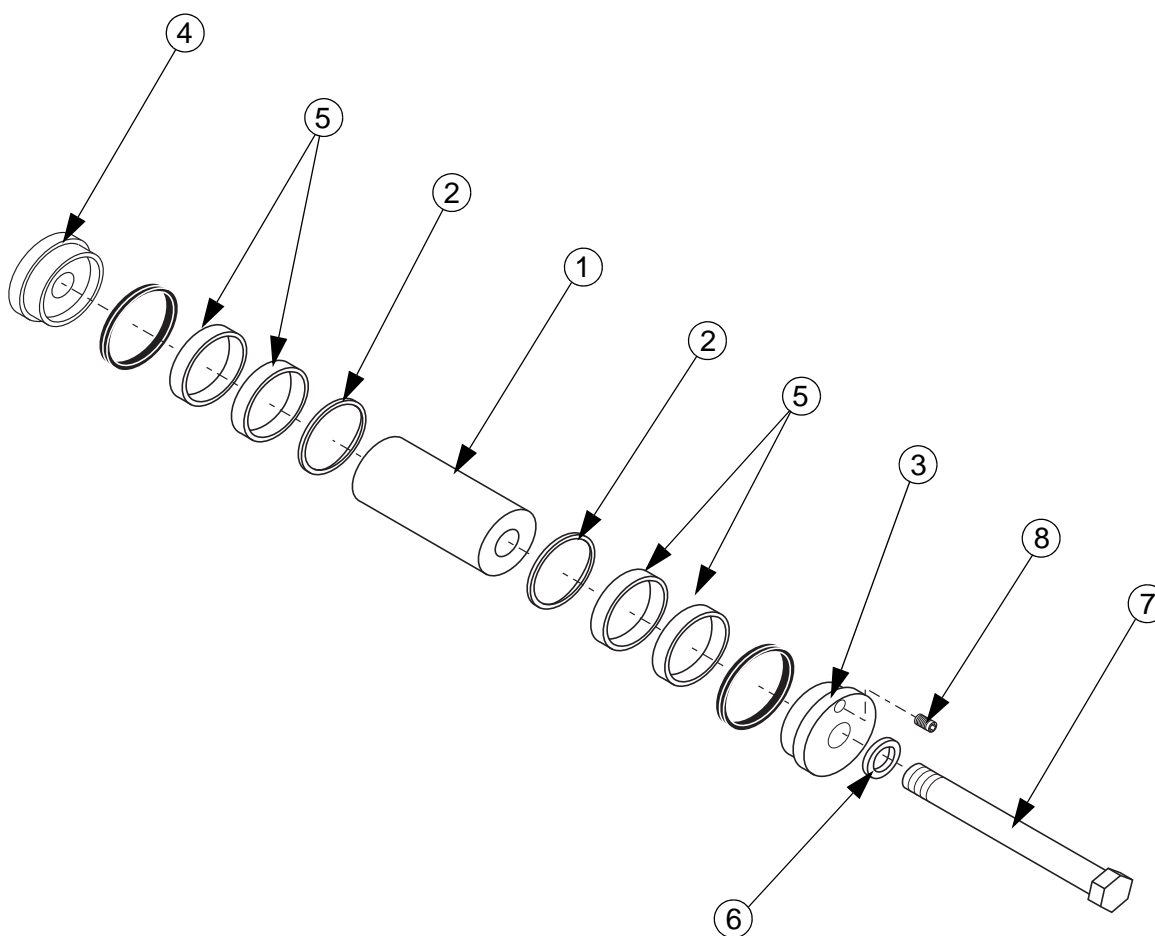
**0/1/ 7807 0028****FCC3 ROD CLAMP  
PINCE MECHE FCC3****@.11**

<b>REP. ITEM</b>	<b>REFERENCE PART NB.</b>	<b>QTE. QTY.</b>	<b>DESIGNATION</b>	<b>DESCRIPTION</b>
1	70130105	2	PISTON	PISTON
2	70281092	2	COVER	COUVERCLE
3	70290409	2	CYLINDER BODY	CORPS VÉRIN
4	70593547	2	SUPPORT	SUPPORT
5	70620769	4	TIE ROD LG:301	TIRANT LG:301
6	73411217	2	SEAL AS 90X100X7/10	JOINT AS 90X100X7/10
7	73412682	2	O-RING M 03190 90X100X12	JOINT TORIQUE M 03190 90X100X12
8	73415480	2	O-RING R44	JOINT TORIQUE R44
9	73419761	2	PISTON SEAL 100X85X20	JOINT PISTON 100X85X20
10	73690618	8	NUT M18	ÉCROU M18
11	88806439	28	SCREW CHC M12X30	VIS CHC M12X30
12	73702617	2	SCREW CHC M16X60	VIS CHC M16X60
13	86716379	4	STRAIGHT FITTING M/M 9/16JIC-9/16SAE	ADAPTEUR DROIT M/M 9/16JIC-9/16SAE
14	73281211	4	PLASTIC PLUG 9/16JIC	BOUCHON PLASTIQUE 9/16JIC

7840 7088

**EXPANDABLE PIN D:40  
AXE A CONE D:40**

**@.9**



0/1/

7840 7088

**EXPANDABLE PIN D:40  
AXE A CONE D:40**

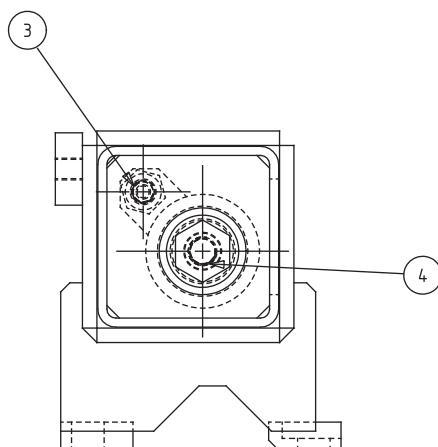
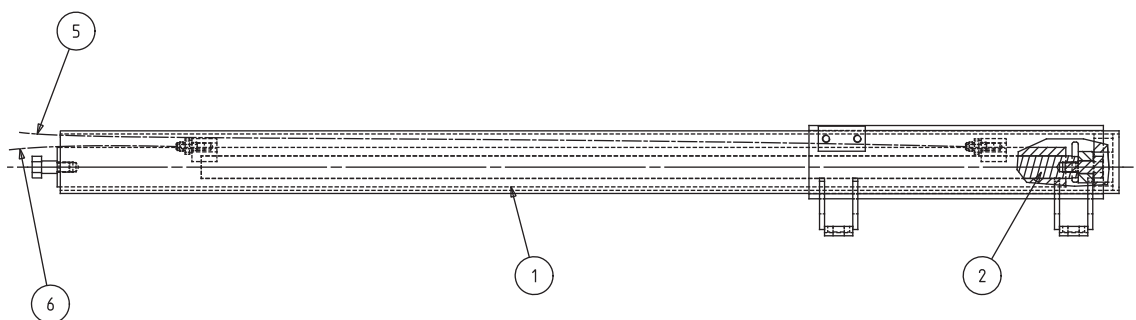
@.9

<b>REP. ITEM</b>	<b>REFERENCE PART NB.</b>	<b>QTE. QTY.</b>	<b>DESIGNATION</b>	<b>DESCRIPTION</b>
1	70012275	1	PIN D:40	AXE D:40
2	70391149	2	WASHER D:40/44.8 TH:2	RONDELLE D:40/44,8 EP:2
3	70391150	1	WASHER EXT D:57	RONDELLE EXT D:57
4	70391151	1	WASHER EXT D:57	RONDELLE EXT D:57
5	73060140	4	BLOCKING TAPER D:40/45	CONE BLOCAGE D:40/45
6	73391914	1	WASHER HR14	RONDELLE HR14
7	73700521	1	SCREW H M14X120 CL10.9	VIS H M14X120 CL10.9
8	73703122	1	SCREW HC M8X10	VIS HC M8X10

7700 9498

**LHF STINGER ASSEMBLY**  
**ETANÇON ÉQUIPÉ LHF**

**@.10**





0/1/

7700 9498

**LHF STINGER ASSEMBLY**  
**ETANÇON ÉQUIPÉ LHF**

@.10

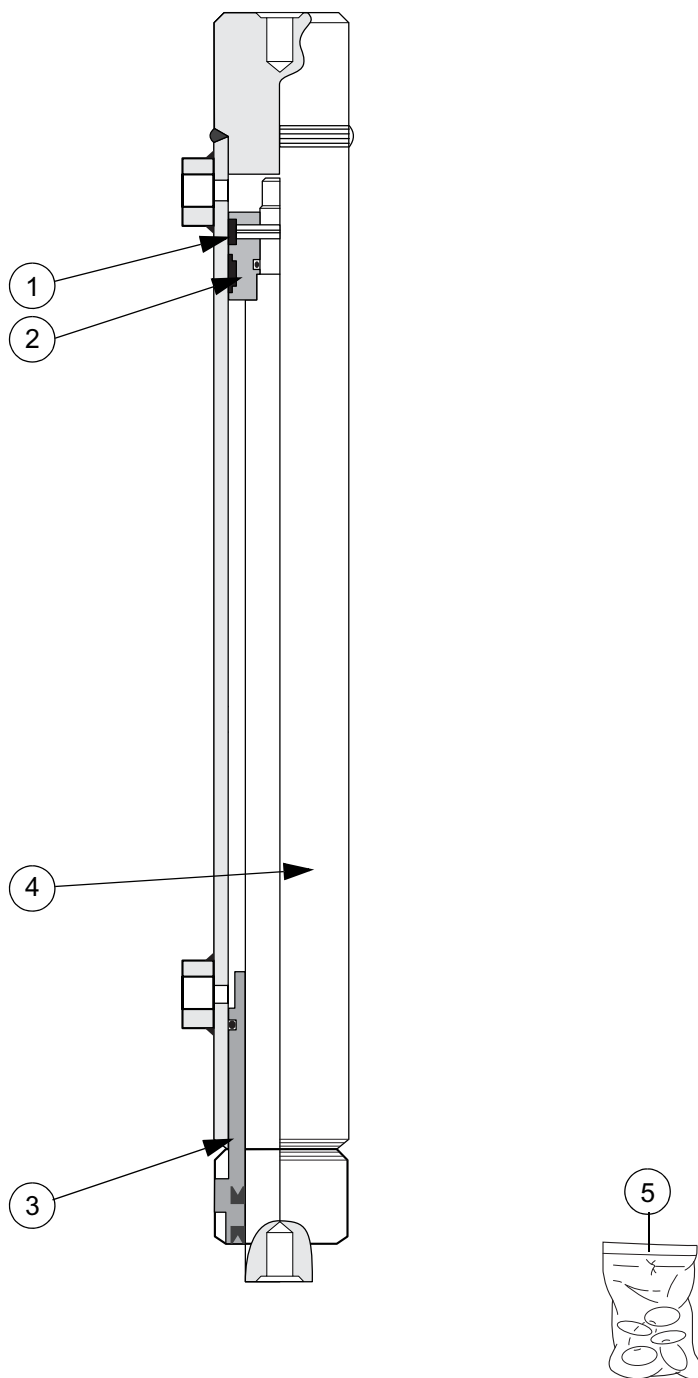
REP. ITEM	REFERENCE PART NB.	QTE. QTY.	DESIGNATION	DESCRIPTION
1	77009497	1	STINGER	ETANÇON
2	<b>76315580</b>	1	CYLINDER D:50/36 S:1200	VÉRIN D:50/36 C:1200
3	81670189	2	STRAIGHT FITTING M/M 9/16JIC-1/4BSPP	ADAPTEUR DROIT M/M 9/16JIC-1/4BSPP
4	70700657	2	SCREW H M16 SPECIAL	VIS H M16 SPECIAL
5	73827968	1	HOSE 2SC M4 9/16 LG:2400	FLEXIBLE 2SC M4 9/16 LG:2400
6	73827959	1	HOSE 2SC M4 9/16 LG:1100	FLEXIBLE 2SC M4 9/16 LG:1100

**Bold Part Nb: Separate parts list / Référence en gras: Nomenclature séparée**

7631 5580

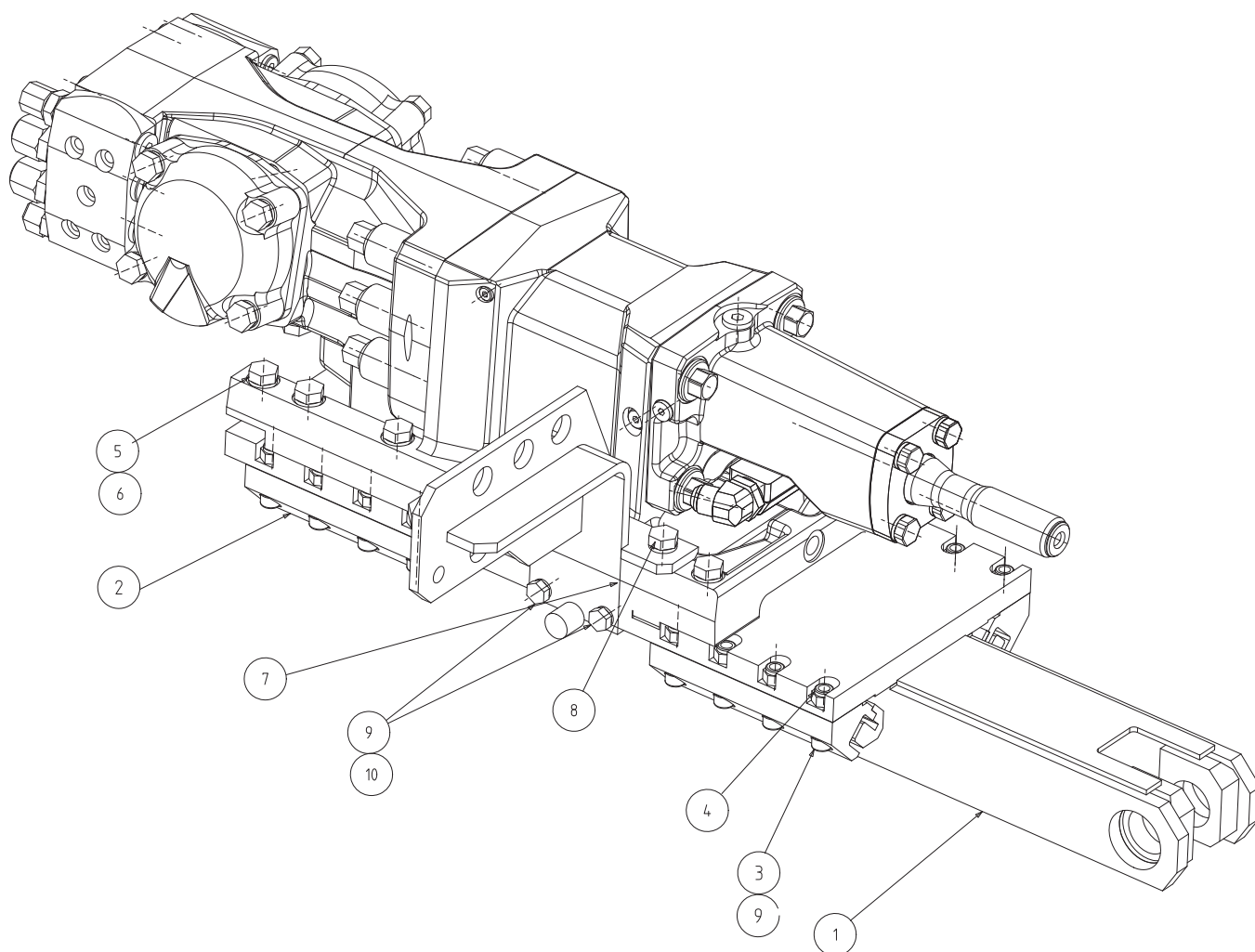
**CYLINDER D:50/36 S:1200**  
**VÉRIN D:50/36 C:1200**

@.7



**0/0/1 7631 5580****CYLINDER D:50/36 S:1200  
VÉRIN D:50/36 C:1200****@.7**

<b>REP. ITEM</b>	<b>REFERENCE PART NB.</b>	<b>QTE. QTY.</b>	<b>DESIGNATION</b>	<b>DESCRIPTION</b>
1	73730246	1	ELASTIC PIN 6X40	GOUPILLE ÉLASTIQUE 6X40
2	75132063	1	PISTON	PISTON
3	75212024	1	BUSHING	BAGUE
4	75622077	1	CYLINDER ROD	TIGE DE VÉRIN
5	78401871	1	SEAL KIT	KIT DE JOINTS

**7700 9432****LHF DRILL CARRIAGE ASSEMBLY  
CHARIOT ÉQUIPÉ LHF****A**

0/1/

7700 9432

**LHF DRILL CARRIAGE ASSEMBLY  
 CHARIOT ÉQUIPÉ LHF**

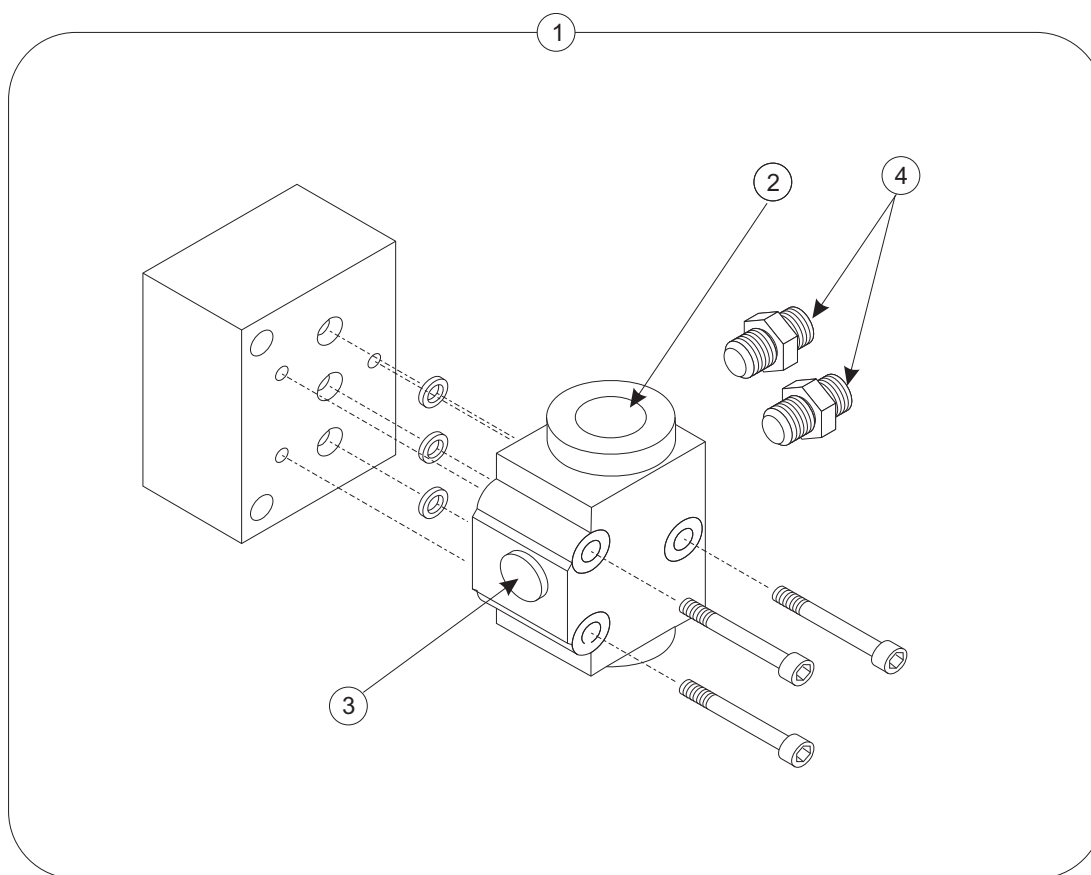
A

REP. ITEM	REFERENCE PART NB.	QTE. QTY.	DESIGNATION	DESCRIPTION
1	77009431	1	LHF/HLX5 DRILL CARRIAGE BRACKET	SUPPORT CHARIOT LHF/HLX5
2	70450667	4	SKID LG:205	PATIN LG:205
3	73702417	16	SCREW CHC M12X50	VIS CHC M12X50
4	73692715	16	NUT HFR M12 THREAD:1.75	ÉCROU HFR M12 PAS:1,75
5	77012469	10	SCREW H M16X80	VIS H M16X80
6	85068749	12	WASHER M16 NORD LOCK	RONDELLE M16 NORD LOCK
7	77009509	1	LHF RELAY FLANGE	BRIDE RELAIS LHF
8	44264220	2	SCREW H M16X90	VIS H M16X90
9	85106809	18	WASHER M12 NORD LOCK	RONDELLE M12 NORD LOCK
10	80053179	2	SCREW H M12X40	VIS H M12X40

7832 0535

**FLOW DIVIDER ASSEMBLY**  
**DIVISEUR DE DÉBIT ASSEMBLÉ**

@.10



0/1/

7832 0535

**FLOW DIVIDER ASSEMBLY**  
**DIVISEUR DE DÉBIT ASSEMBLÉ**

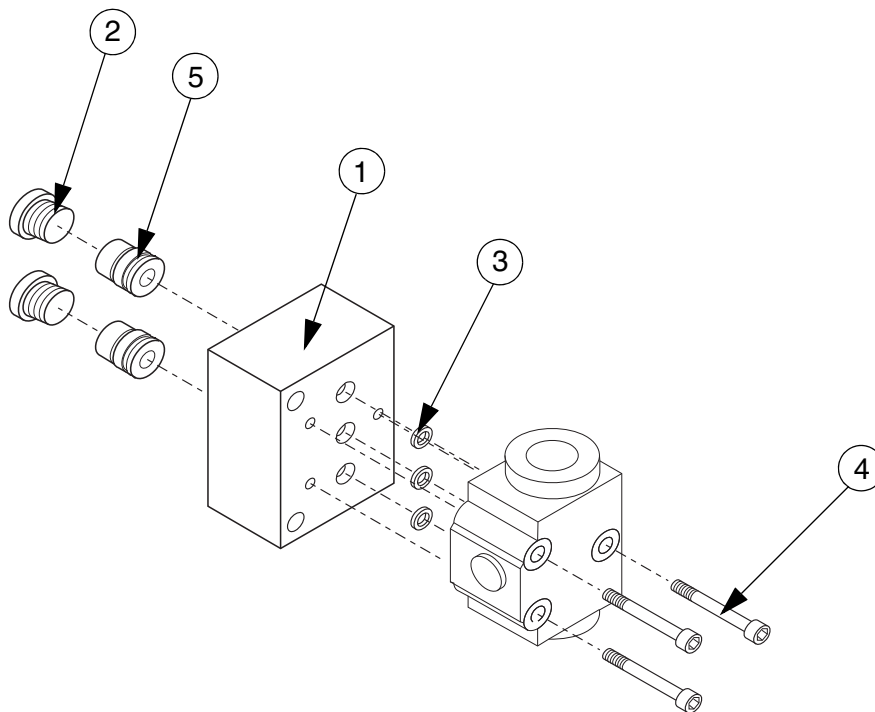
@.10

REP. ITEM	REFERENCE PART NB.	QTE. QTY.	DESIGNATION	DESCRIPTION
1	<b>78322057</b>	1	FLOW DIVIDER PARTS SET	LOT PIÈCES DIVISEUR
2	78410398	1	FLOW DIVIDER	DIVISEUR DÉBIT
3	73283205	1	ALLEN PLUG M18X1.5	BOUCHON 6PANS CREUX M18X1,5
4	73801809	2	STRAIGHT FITTING M/M 9/16JIC-M18X1.5	ADAPTEUR DROIT M/M 9/16JIC-M18X1,5
--	73803880	2	90° FITTING M/M 7/8JIC-M18X1.5	ADAPTEUR 90° M/M 7/8JIC-M18X1,5

-- Not Shown / -- Non Représenté

**Bold Part Nb: Separate parts list / Référence en gras: Nomenclature séparée**

**FLOW DIVIDER PARTS SET**  
**LOT PIÈCES DIVISEUR**





0/0/1

7832 2057

**FLOW DIVIDER PARTS SET  
LOT PIÈCES DIVISEUR**

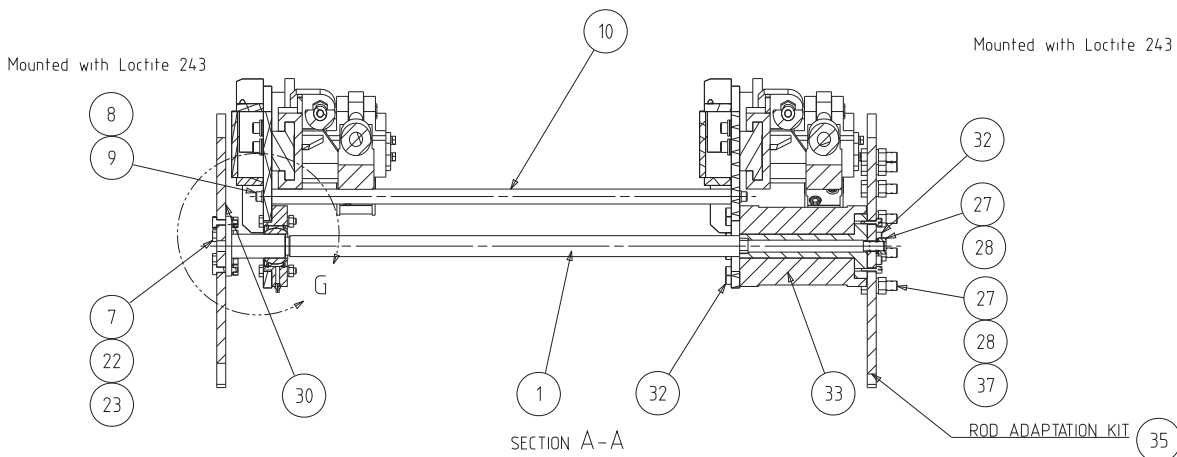
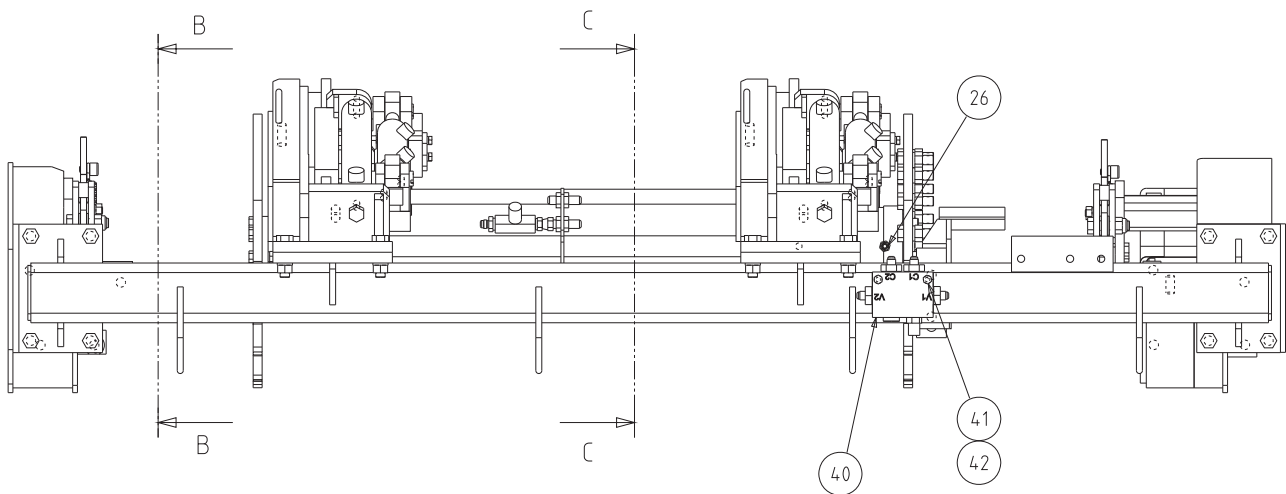
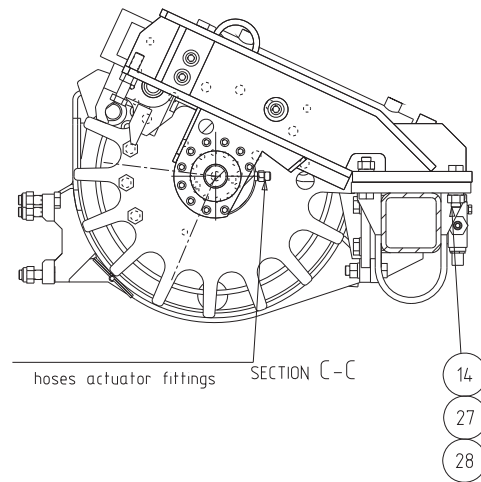
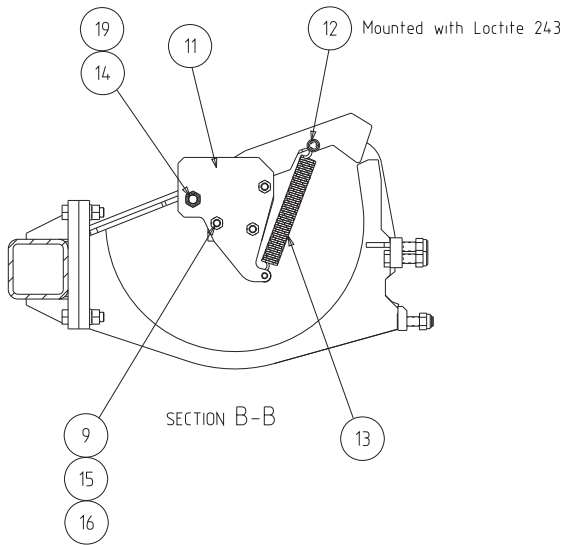
@.5

<b>REP. ITEM</b>	<b>REFERENCE PART NB.</b>	<b>QTE. QTY.</b>	<b>DESIGNATION</b>	<b>DESCRIPTION</b>
1	70361677	1	FLANGE	BRIDE
2	73284102	2	ALLEN PLUG 7/8SAE	BOUCHON 6PANS CREUX 7/8SAE
3	73414092	3	O-RING 1.78x9.25	JOINT TORIQUE NITRIL 1,78x9,25
4	73702181	3	SCREW CHC M6X55	VIS CHC M6X55
5	77728901	2	CHECK VALVE 3/4"	CLAPET EN CARTOUCHE 3/4"

7701 1666

LC11 ROD MAGAZINE  
MAGASIN A BARRES LC11

@.26



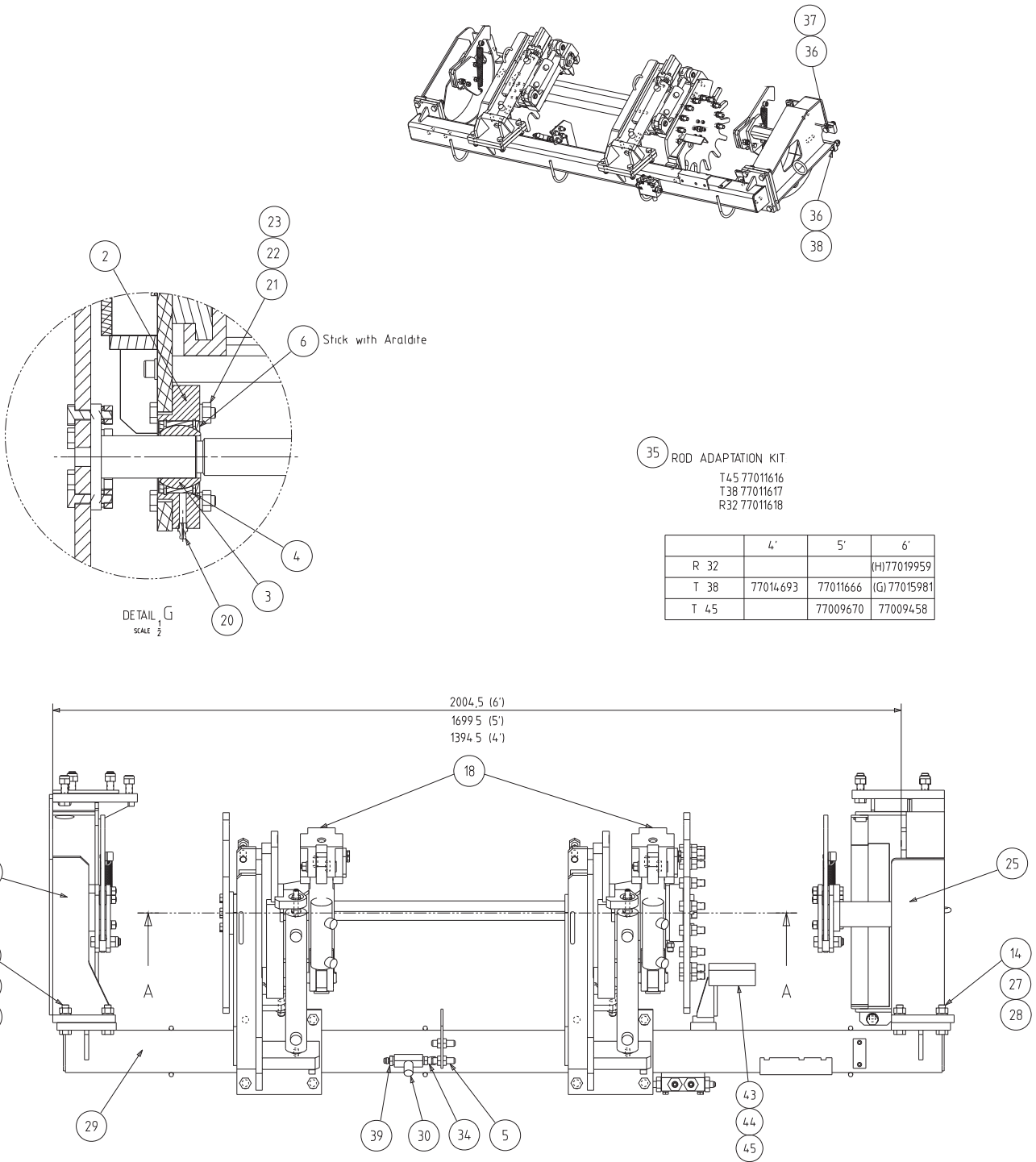
**1 7701 1666****LC11 ROD MAGAZINE  
MAGASIN A BARRES LC11****@.26**

REP. ITEM	REFERENCE PART NB.	QTE. QTY.	DESIGNATION	DESCRIPTION
1	77008916	1	LC10 5' SHAFT	ARBRE LC10 5'
2	70361784	1	LHF MAGAZINE FLANGE	BRIDE MAGASIN LHF
3	81775009	1	PLAIN BEARING	PALIER
4	73400168	2	INTERNAL CIRCLIP D:68	CIRCLIPS INTERIEUR D:68
5	81723879	4	BULKHEAD FITTING M/M 9/16JIC	TRAVERSÉE DE CLOISON M/M 9/16JIC
6	75393019	2	WASHER	RONDELLE
7	80046179	6	SCREW H M10X35	VIS H M10X35
8	73702413	2	SCREW CHC M12X40	VIS CHC M12X40
9	85106809	8	WASHER M12 NORD LOCK	RONDELLE M12 NORD LOCK
10	70620882	1	LC10 5' ROD	TIGE LC10 5'
11	70595213	2	LC10 BRACKET	SUPPORT LC10
12	70700595	4	SCREW CHC M10X19	VIS CHC M10X19
13	70880244	2	THRUST SPRING D:3.6 LG:205	RESSORT TRACTION D:3,6 LG:205
14	80046999	18	SCREW H M16X60	VIS H M16X60
15	80121189	6	SCREW H M12X65	VIS H M12X65
16	80082149	6	NUT H M12	ÉCROU H M12
18	<b>77009457</b>	2	LC11 ROD HANDLER	MANIPULATEUR DE BARRES LC11
19	73692723	2	NUT HFR M16	ÉCROU HFR M16
20	73807022	1	STRAIGHT GREASE NIPPLE M8X1.25	GRAISSEUR DROIT M8X1,25
21	73700318	4	SCREW H M10X55	VIS H M10X55
22	80082019	10	NUT H M10	ÉCROU H M10
23	85128209	10	WASHER M10 NORD LOCK	RONDELLE M10 NORD LOCK
24	77009283	1	LC11 FRONT ROD BRACKET	SUPPORT BARRES AVANT LC11
25	77009370	1	LC11 REAR ROD BRACKET	SUPPORT BARRES ARRIERE LC11
26	73803862	2	STRAIGHT FITTING M/M 9/16JIC-7/8SAE	ADAPTEUR DROIT M/M 9/16JIC-7/16SAE
27	80048509	29	NUT H M16	ÉCROU H M16
28	85068749	29	WASHER M16 NORD LOCK	RONDELLE M16 NORD LOCK
29	77009668	1	LC11 5' BEAM	POUTRE LC11 5'
30	87453079	1	CHECK VALVE	CLAPET ANTI RETOUR
--	73704212	12	SCREW CHC UNC 3/8" 16F 1"	VIS CHC UNC 3/8" 16F 1"
32	73704212	6	SCREW CHC UNC 3/8" 16F 1"	VIS CHC UNC 3/8" 16F 1"
33	<b>77006254</b>	1	360° LC10 ROTARY ACTUATOR	VÉRIN ROTATIF 360° LC10
34	73809529	1	STRAIGHT FITTING F/M 9/16JIC-1/4BSPP	ADAPTEUR DROIT F/M 9/16JIC-1/4BSPP
35	<b>77011617</b>	1	LC11 T38 ADAPTATION KIT	KIT D'ADAPTATION LC11 T38
37	73700609	16	SCREW H M16X50	VIS H M16X50

7701 1666

LC11 ROD MAGAZINE  
MAGASIN A BARRES LC11

@.26



**7701 1666****LC11 ROD MAGAZINE  
MAGASIN A BARRES LC11****@.26**

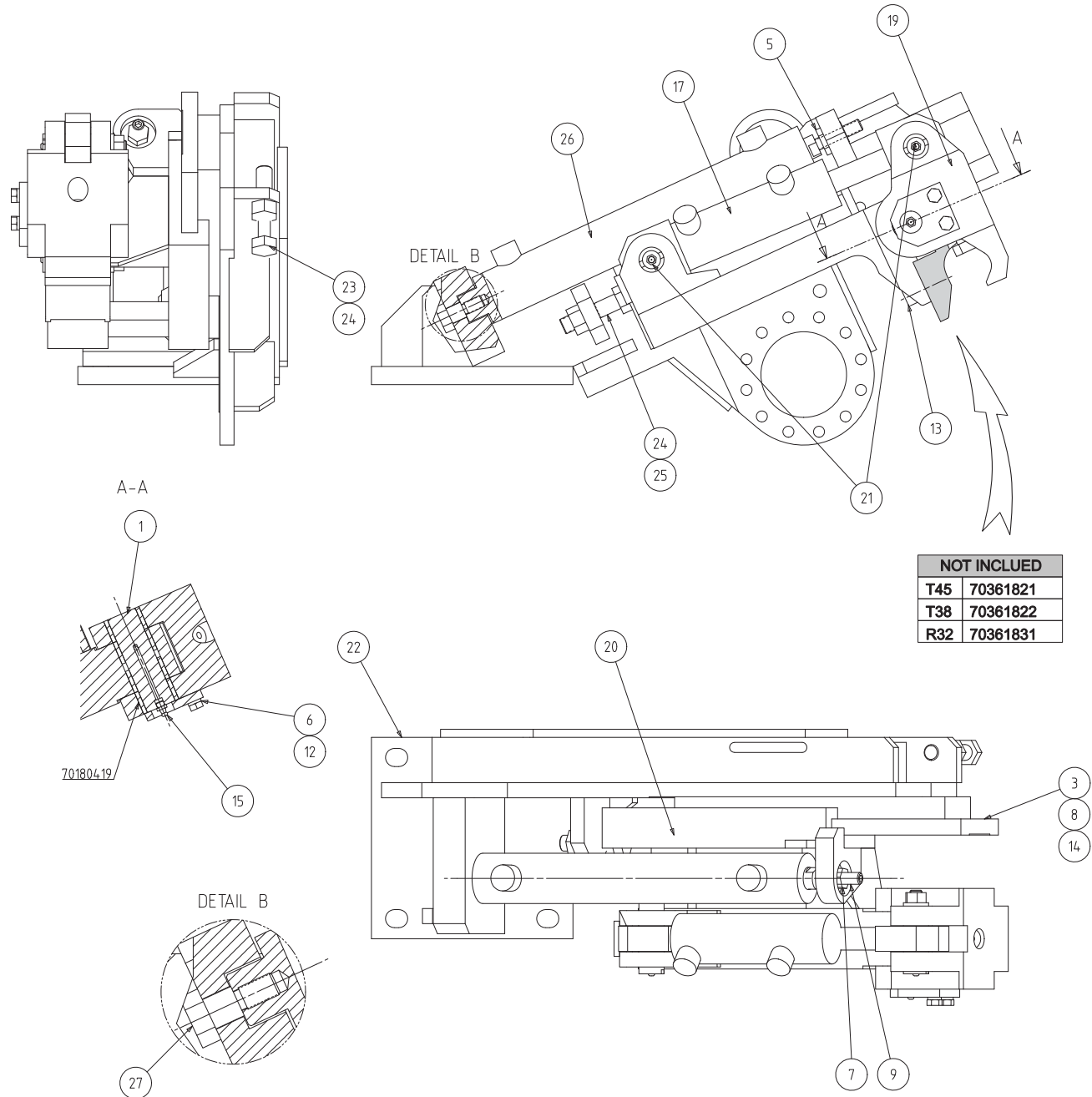
<b>REP. ITEM</b>	<b>REFERENCE PART NB.</b>	<b>QTE. QTY.</b>	<b>DESIGNATION</b>	<b>DESCRIPTION</b>
40	<b>77014849</b>	1	COUNTERBALANCE VALVE ASS'Y	VALVE D'ÉQUILIBRAGE ÉQUIPÉE
41	85128189	2	WASHER M8 NORD LOCK	RONDELLE M8 NORD LOCK
42	80052319	2	BOLT H M8X40	BOULON H M8X40
43	70595124	1	BRACKET	SUPPORT
44	73390966	2	WASHER ZU16	RONDELLE ZU16
45	80053739	2	SCREW H M16X35	VIS H M16X35

**-- Not Shown / -- Non Représenté****Bold Part Nb: Separate parts list / Référence en gras: Nomenclature séparée**

**7700 9457**

**LC11 ROD HANDLER  
MANIPULATEUR DE BARRES LC11**

**@.27**



**0/1/ 7700 9457****LC11 ROD HANDLER  
MANIPULATEUR DE BARRES LC11****@.27**

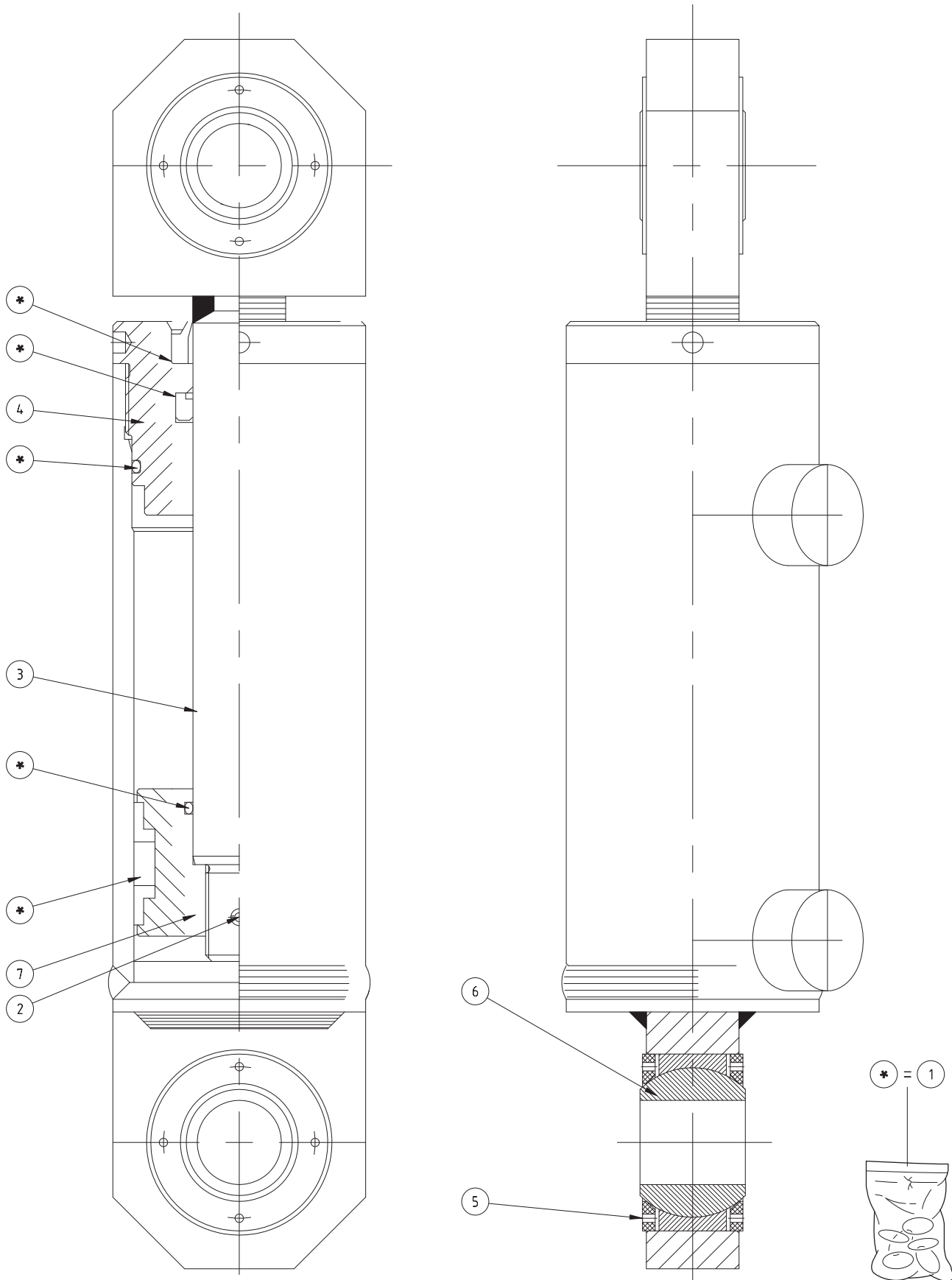
<b>REP. ITEM</b>	<b>REFERENCE PART NB.</b>	<b>QTE. QTY.</b>	<b>DESIGNATION</b>	<b>DESCRIPTION</b>
1	70012174	1	PIN D:30	AXE D:30
3	70534342	1	PLATE	PLAQUE
5	77011716	1	NUT M12	ÉCROU M12
6	85128189	2	WASHER M8 NORD LOCK	RONDELLE M8 NORD LOCK
7	80082149	1	NUT H M12	ÉCROU H M12
8	73390712	3	WASHER NV12	RONDELLE NV12
9	77011724	1	SCREW HC 12X70	VIS HC M12X70
12	80880229	2	SCREW H M8X20	VIS H M8X20
13	73702407	2	SCREW CHC M12X25	VIS CHC M12X25
14	73702415	3	SCREW CHC M12X45	VIS CHC M12X45
15	73807022	1	STRAIGHT GREASE NIPPLE M8X1.25	GRAISSEUR DROIT M8X1,25
17	<b>77016101</b>	1	CYLINDER D:50/22 s:65	VÉRIN D:50/22 C:65
19	<b>79360082</b>	1	FLANGE	BRIDE
20	<b>79590313</b>	1	SLIDER BRACKET	SUPPORT COULISSEAU
21	<b>78407089</b>	2	EXPANDABLE PIN D:20	AXE A CONE D:20
22	77009384	1	RAIL BRACKET	SUPPORT RAIL
23	80043839	1	SCREW H M16X80	VIS H M16X80
24	80048509	2	NUT H M16	ÉCROU H M16
25	80046999	1	SCREW H M16X60	VIS H M16X60
26	<b>77009467</b>	1	CYLINDER D:40/22 s:255	VÉRIN D:40/22 C:255
27	77010393	1	ADJUSTING SCREW	VIS DE RÉGLAGE

**Bold Part Nb: Separate parts list / Référence en gras: Nomenclature séparée**

7701 6101

CYLINDER D:50/22 S:65  
VÉRIN D:50/22 C:65

B





0/0/1

7701 6101

CYLINDER D:50/22 S:65

B

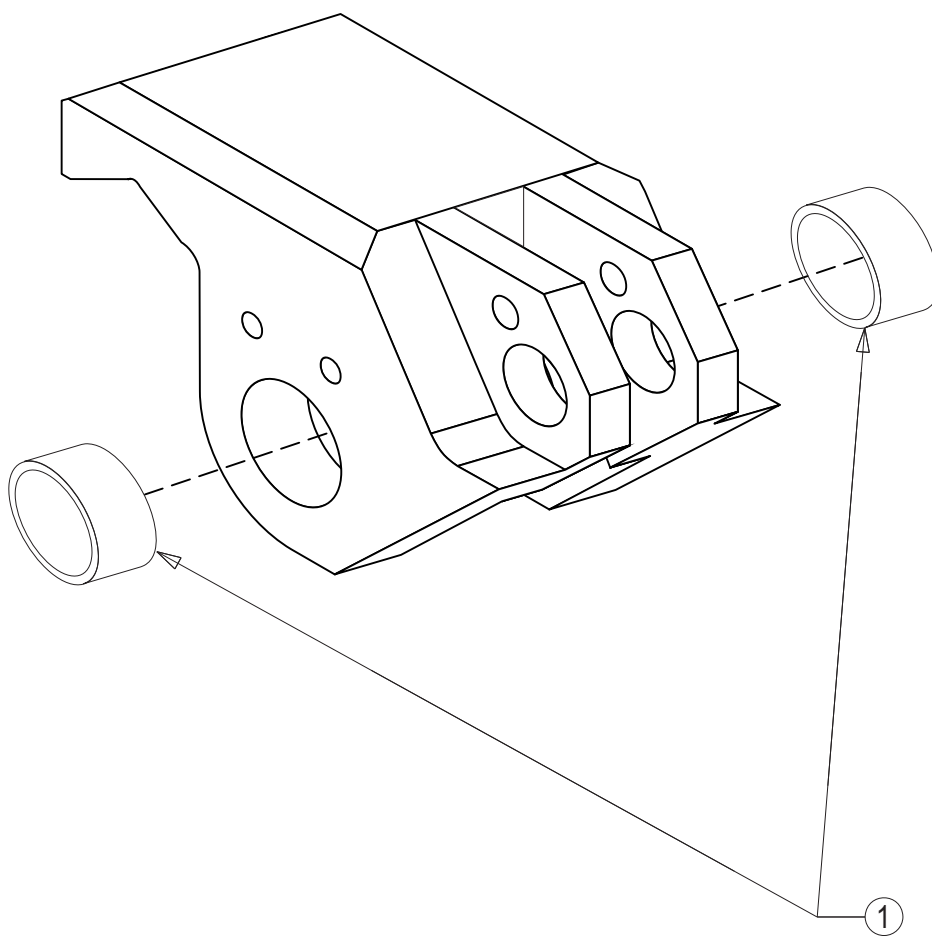
VÉRIN D:50/22 C:65

REP. ITEM	REFERENCE PART NB.	QTE. QTY.	DESIGNATION	DESCRIPTION
1	77016443	1	SEAL KIT	KIT DE JOINT
2	73730178	1	ELASTIC PIN 4X30	GOUPILLE ÉLASTIQUE 4X30
3	75628514	1	ROD CYLINDER	TIGE DE VÉRIN
4	75463344	1	GUIDE	GUIDE
5	75393026	4	WASHER	RONDELLE
6	71407520	2	BALL BEARING	ROTULE
7	75900236	1	GUIDE	GUIDE

**7936 0082**

**FLANGE  
BRIDE**

**@.7**



**0/0/1 7936 0082****FLANGE  
BRIDE****@.7**

---

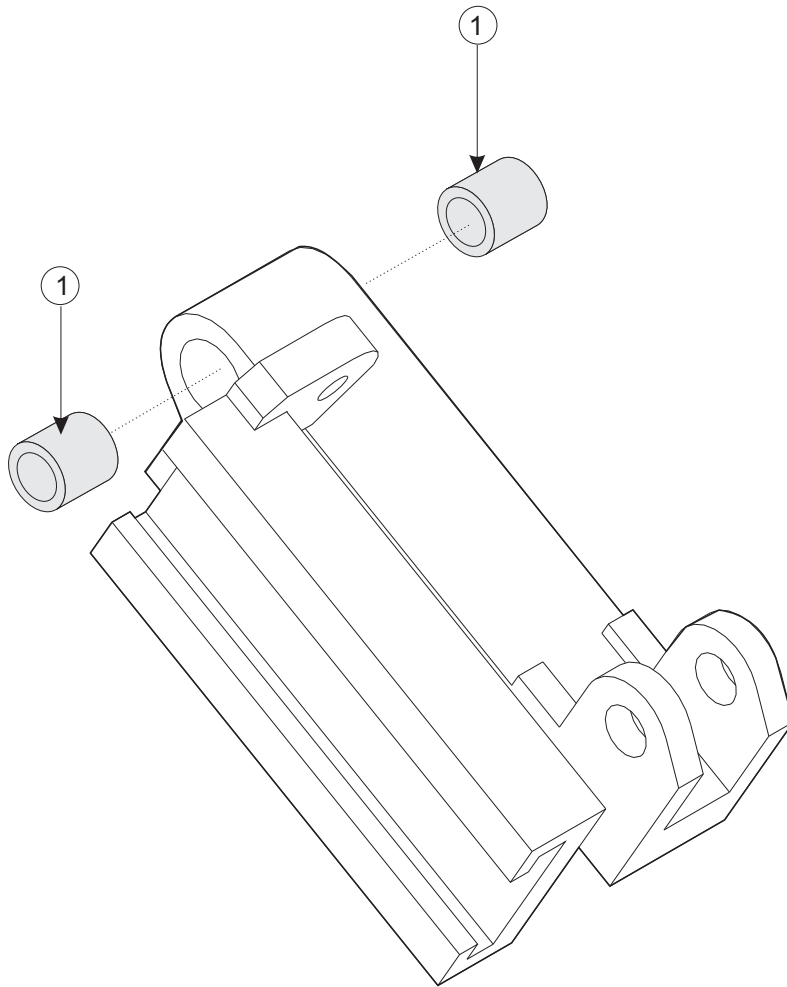
<b>REP. REFERENCE</b>	<b>QTE.</b>	<b>DESIGNATION</b>	<b>DESCRIPTION</b>
<b>ITEM PART NB.</b>	<b>QTY.</b>		
1	70180419	2 BUSHING PEL 38x30x23	COUSSINET PEL 38x30x23

---

**7959 0313**

**SLIDER BRACKET  
SUPPORT COULISSEAU**

**@.5**



0/0/1

7959 0313

**SLIDER BRACKET  
SUPPORT COULISSEAU**

@.5

---

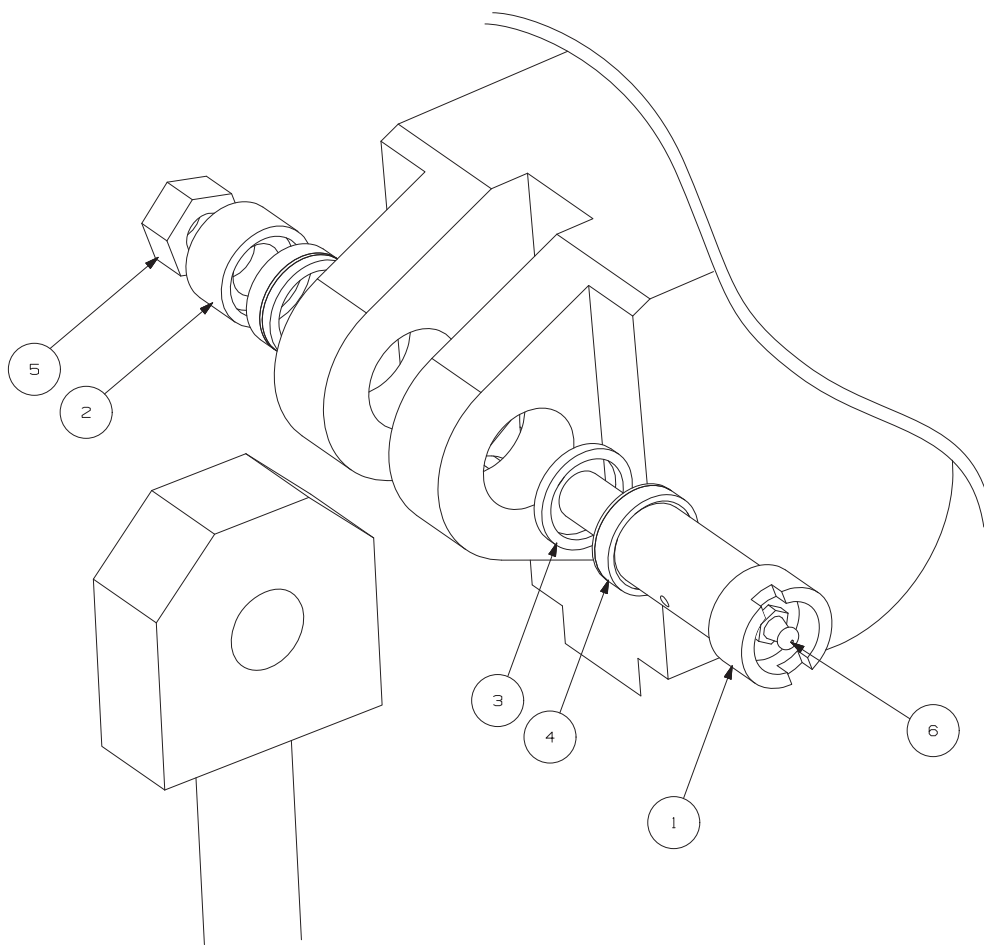
<b>REP. REFERENCE</b>	<b>QTE.</b>	<b>DESIGNATION</b>	<b>DESCRIPTION</b>
<b>ITEM PART NB.</b>	<b>QTY.</b>		
1	70180419	2 BUSHING PEL 38x30x23	COUSSINET PEL 38x30x23

---

**7840 7089**

**EXPANDABLE PIN D:20  
AXE À CONE D:20**

**@.10**



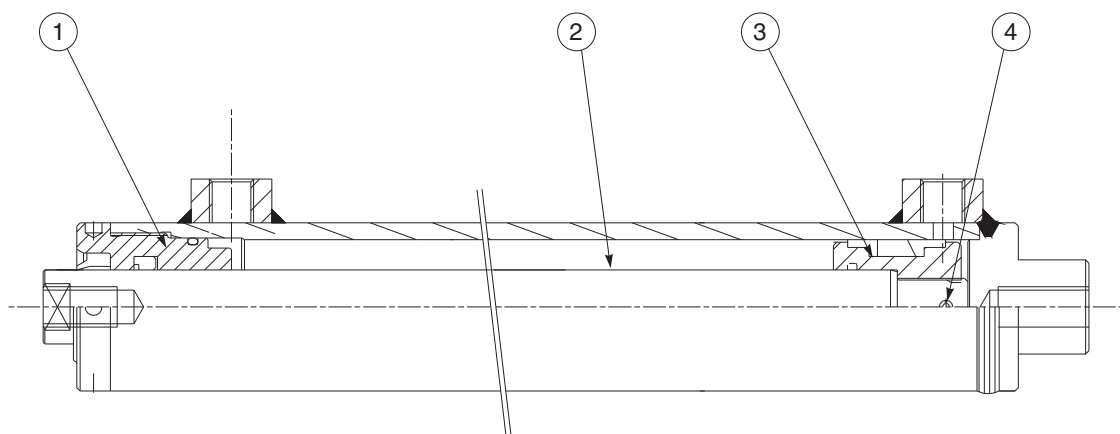
**0/0/1 7840 7089****EXPANDABLE PIN D:20  
AXE À CONE D:20****@.10**

<b>REP. ITEM</b>	<b>REFERENCE PART NB.</b>	<b>QTE. QTY.</b>	<b>DESIGNATION</b>	<b>DESCRIPTION</b>
1	70012290	1	PIN	AXE
2	70212627	1	BUSHING	BAGUE
3	70391164	2	WASHER D:20/25 TH:3	RONDELLE D:20/25 EP:3
4	73060120	2	BLOCKING TAPER D:20/25	CONE DE BLOCAGE D:20/25
5	80082149	1	NUT H M12	ÉCROU H M12
6	73807022	1	STRAIGHT GREASE NIPPLE M8X1.25	GRAISSEUR DROIT M8X1,25

**7700 9467**

**CYLINDER D:40/22 S:255  
VÉRIN D:40/22 C:255**

**@.11**





0/0/1

7700 9467

**CYLINDER D:40/22 S:255**  
**VÉRIN D:40/22 C:255**

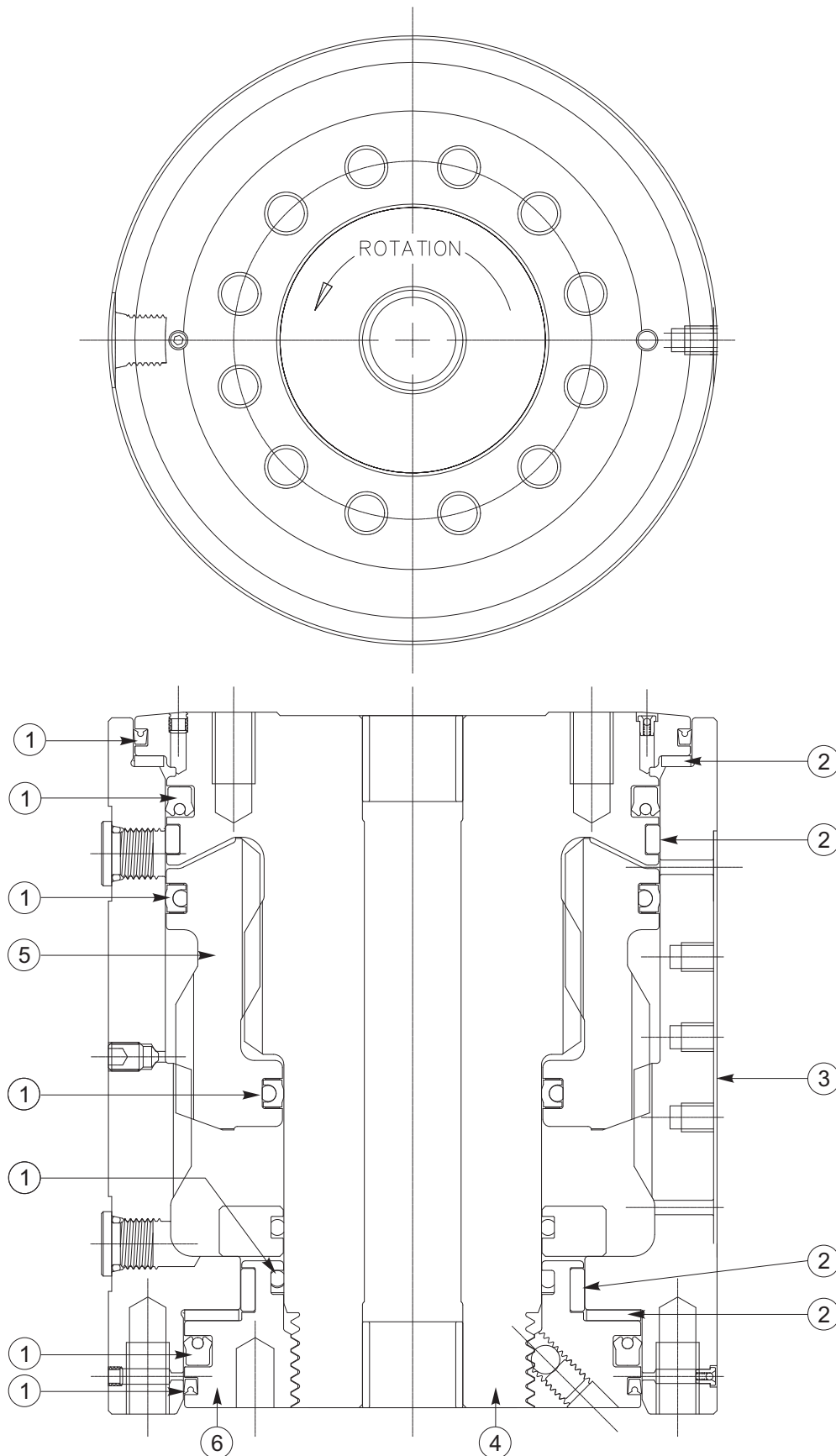
@.11

<b>REP. ITEM</b>	<b>REFERENCE PART NB.</b>	<b>QTE. QTY.</b>	<b>DESIGNATION</b>	<b>DESCRIPTION</b>
1	75463344	1	GUIDE	GUIDE
2	75900117	1	CYLINDER ROD	TIGE DE VÉRIN
3	75133231	1	PISTON	PISTON
4	73730178	1	ELASTIC PIN 4X30	GOUPILLE ÉLASTIQUE 4X30
5	78401629	1	SEAL KIT	KIT DE JOINTS

7700 6254

360° LC10 ROTARY ACTUATOR  
VÉRIN ROTATIF 360° LC10

@.12



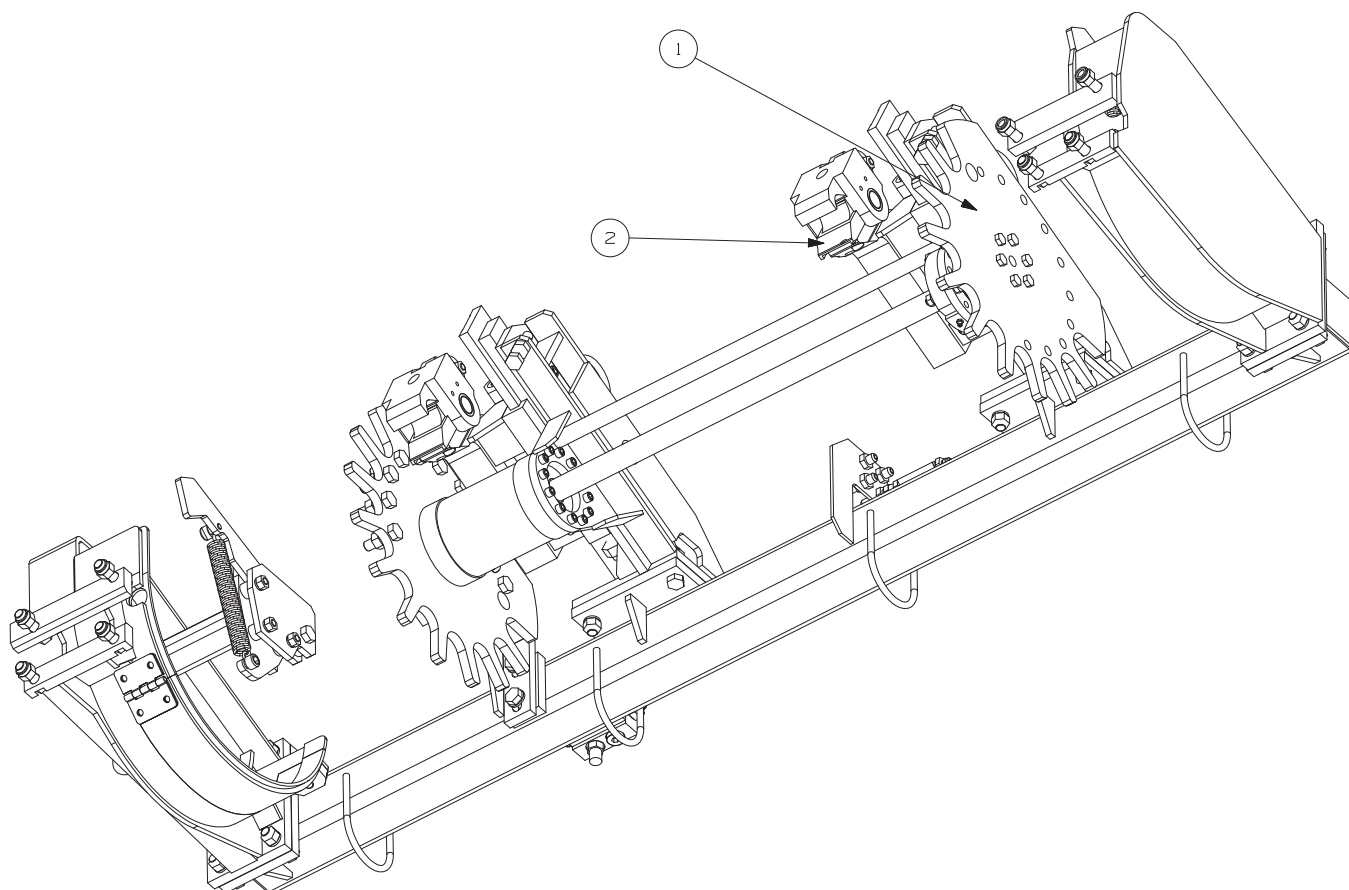
**0/1/ 7700 6254****360° LC10 ROTARY ACTUATOR  
VÉRIN ROTATIF 360° LC10****@.12**

<b>REP. ITEM</b>	<b>REFERENCE PART NB.</b>	<b>QTE. QTY.</b>	<b>DESIGNATION</b>	<b>DESCRIPTION</b>
2	77005278	1	SEAL KIT	<i>KIT DE JOINTS</i>
3	77005280	1	BUSHING KIT	<i>KIT DE ROULEMENT</i>
4	77014836	1	HOUSING	<i>CARTER</i>
5	77014900	1	SHAFT	<i>ARBRE</i>
6	77014838	1	PISTON SLEEVE	<i>CHEMISE PISTON</i>
7	77014839	1	CAP	<i>CHAPEAU</i>

7701 1617

**LC11 T38 ADAPTATION KIT  
KIT ADAPTATION LC11 T38**

@.6



①	②	ROD	PART LIST	NOTES
77009501	70361821	Rod T45	77011616	LC11 (10+1 rods)
77011613	70361822	Rod T38	77011617	LC12 (11+1 rods)
77006283	70361831	Rod R32	77011618	LC13 (12+1 rods)
77016436	77016435	TUBE T38	77016438	LC10 (9+1 Tubes)

0/1/

7701 1617

**LC11 T38 ADAPTATION KIT  
KIT ADAPTATION LC11 T38**

@.6

---

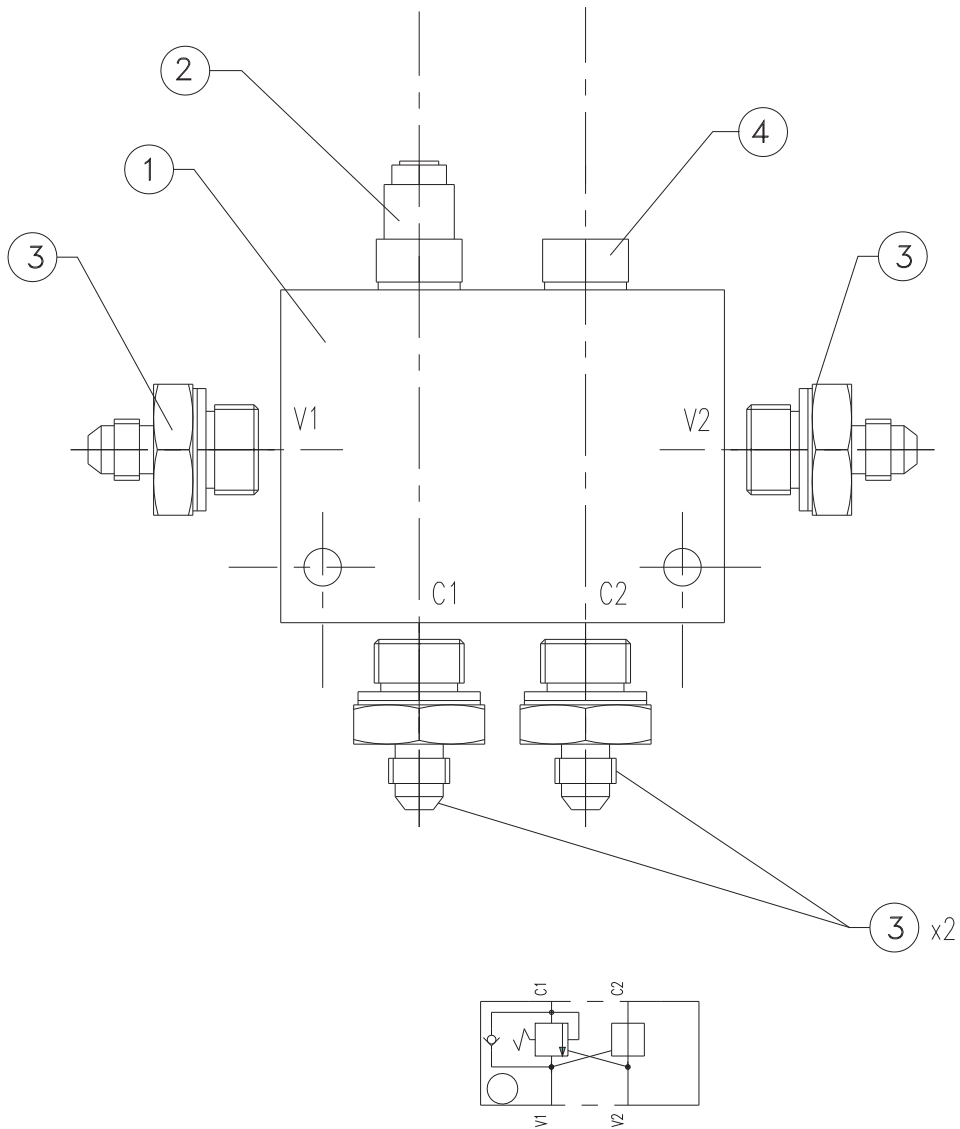
<b>REP. ITEM</b>	<b>REFERENCE PART NB.</b>	<b>QTE. QTY.</b>	<b>DESIGNATION</b>	<b>DESCRIPTION</b>
1	77011613	2	LC11 T38 PLATE	<i>PLAQUE LC11 T38</i>
2	70361822	2	LC10 T38 FLANGE	<i>BRIDE LC10 T38</i>

---

7701 4849

# COUNTERBALANCE VALVE ASSEMBLY VALVE D'ÉQUILIBRAGE ÉQUIPÉE

@.7



**0/1/ 7701 4849 COUNTERBALANCE VALVE ASSEMBLY @.7**  
**VALVE D'ÉQUILIBRAGE ÉQUIPÉE**

<b>REP. ITEM</b>	<b>REFERENCE PART NB.</b>	<b>QTE. QTY.</b>	<b>DESIGNATION</b>	<b>DESCRIPTION</b>
1	77722703	1	BODY	CORPS
2	77007356*	1	COUNTER BALANCE VALVE	VALVE D'ÉQUILIBRAGE
3	81670209	4	STRAIGHT FITTING M/M 9/16JIC-1/2BSPP	ADAPTEUR DROIT M/M 9/16JIC-1/2BSPP
4	77722515**	1	PLUG XEOA XXN	OBTURATEUR XEOA XXN

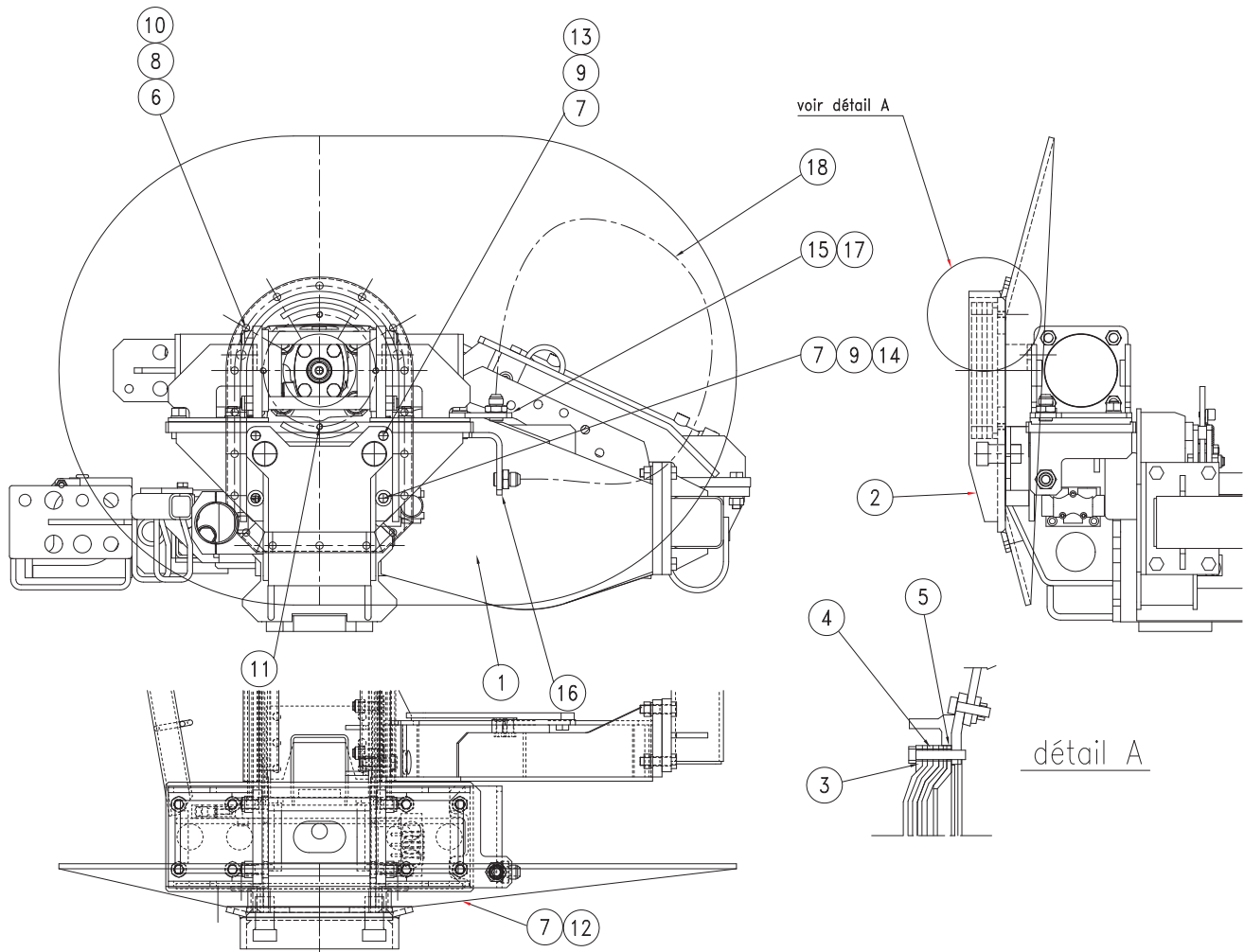
\* : Seal kit for counter balance valve 77007356: 77722591. / Kit de joints pour valve d'équilibrage 77007356: 77722591.

\*\* : Seal kit for plug 77722515: 77722591. / Kit de joints pour obturateur 77722515: 77722591.

7700 9525

LHF FRONT PROTECTOR  
PROTECTEUR AVANT LHF

@.19





**1            7700 9525            LHF FRONT PROTECTOR  
PROTECTEUR AVANT LHF**

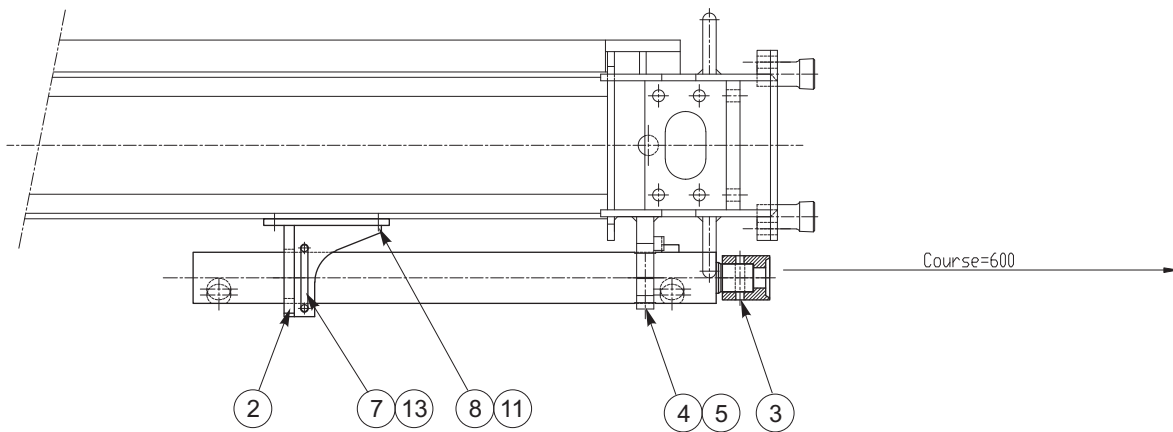
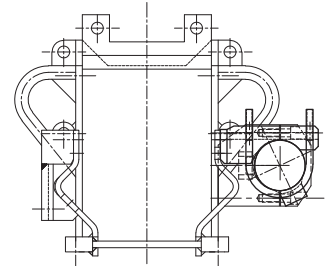
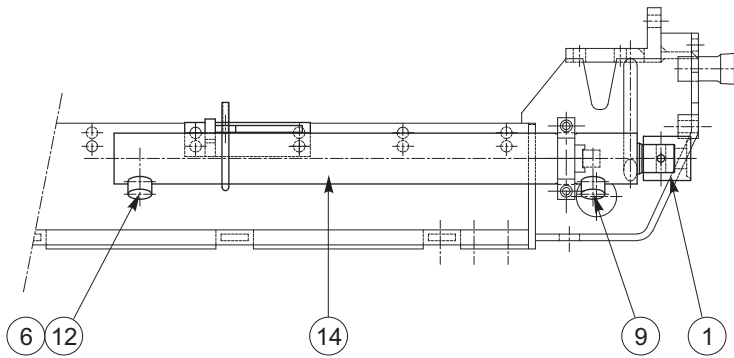
**@.19**

<b>REP. ITEM</b>	<b>REFERENCE PART NB.</b>	<b>QTE. QTY.</b>	<b>DESIGNATION</b>	<b>DESCRIPTION</b>
1	77009522	1	RUBBER PLATE	PLAQUE CAOUTCHOUC
2	77009515	1	LHF RUBBER PROTECTOR BRACKET	SUPPORT PROTECTION CAOUTCHOUC LHF
3	15921668	1	RING	ANNEAUX
4	15922008	5	RUBBER SHEET 1"1/4"	FEUILLE CAOUTCHOUC 1"1/4"
5	26395398	1	CONICAL	CONE
6	73390012	18	WASHER MU12	RONDELLE MU12
7	85068749	6	WASHER M16 NORD LOCK	RONDELLE M16 NORD LOCK
8	80082149	18	NUT H M12	ÉCROU H M12
9	80048509	4	NUT H M16	ÉCROU H M16
10	44277690	18	SCREW H M12X65	VIS H M12X65
11	80121189	4	SCREW H M12X65	VIS H M12X65
12	80053739	2	SCREW H M16X35	VIS H M16X35
13	73700609	2	SCREW H M16X50	VIS H M16X50
14	44264220	2	SCREW H M16X90	VIS H M16X90
15	77017538	1	BRACKET HOSE	SUPPORT FLEXIBLE
16	77017539	1	BRACKET HOSE SQUARE	ÉQUERRE SUPPORT FLEXIBLE
17	73700715	2	SCREW H M18X80	VIS H M18X80
18	73826803	1	HOSE 4SH M12 LG:900	FLEXIBLE 4SH M12 LG:900

7831 0178

**FRONT STINGER**  
**ETANÇON AVANT**

**@.16**



**1****7831 0178****FRONT STINGER  
ETANÇON AVANT****@.16**

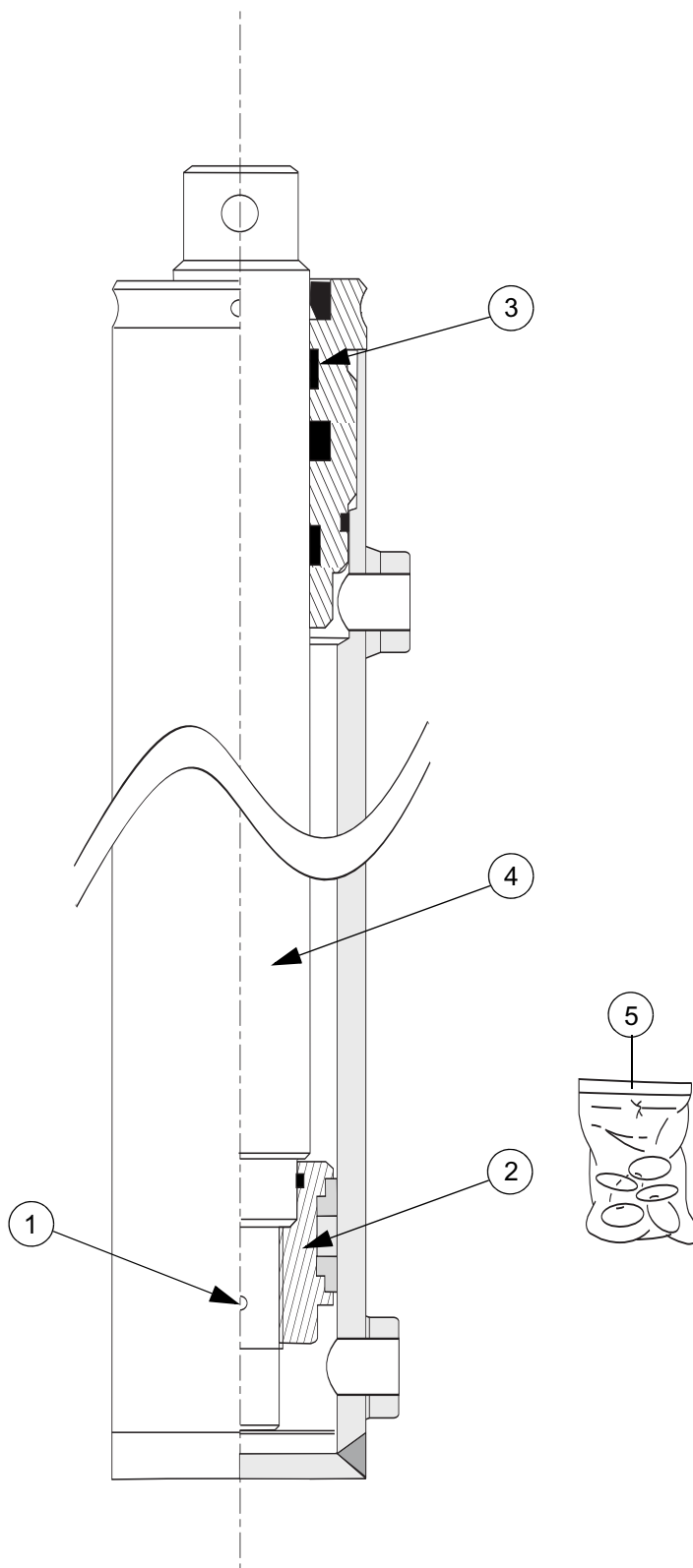
<b>REP. ITEM</b>	<b>REFERENCE PART NB.</b>	<b>QTE. QTY.</b>	<b>DESIGNATION</b>	<b>DESCRIPTION</b>
1	70560546	1	END PIECE	EMBOUT
2	70595092	1	FRONT STINGER BRACKET	SUPPORT ETANÇON AVANT
3	73736026	1	PIN G07 12X100	GOUPILLE G07 12X100
4	85128209	2	WASHER M10 NORD LOCK	RONDELLE M10 NORD LOCK
5	73702313	2	SCREW CHC M10X40	VIS CHC M10X40
6	73827954	1	HOSE 2SC M4 9/16 LG:600	FLEXIBLE 2SC M4 9/16 LG:600
7	73692714	2	NUT HFR M10	ÉCROU HFR M10
8	73692723	2	NUT HFR M16	ÉCROU HFR M16
9	73827961	1	HOSE 2SC M4 LG:1300	FLEXIBLE 2SC M4 LG:1300
11	80053869	2	SCREW H M16X45	VIS H M16X45
12	81671199	2	90° FITTING M/M 9/16JIC-1/4BSPP	ADAPTEUR 90° M/M 9/16JIC-1/4BSPP
13	73813356	1	COLLAR #590 10X79	COLLIER N°590 10X79
14	<b>76316460</b>	1	CYLINDER D:63/45 S:600	VÉRIN D:63/45 C:600

**Bold Part Nb: Separate parts list / Référence en gras: Nomenclature séparée**

7631 6460

**CYLINDER D:63/45 S:600**  
**VÉRIN D:63/45 C:600**

**@.7**



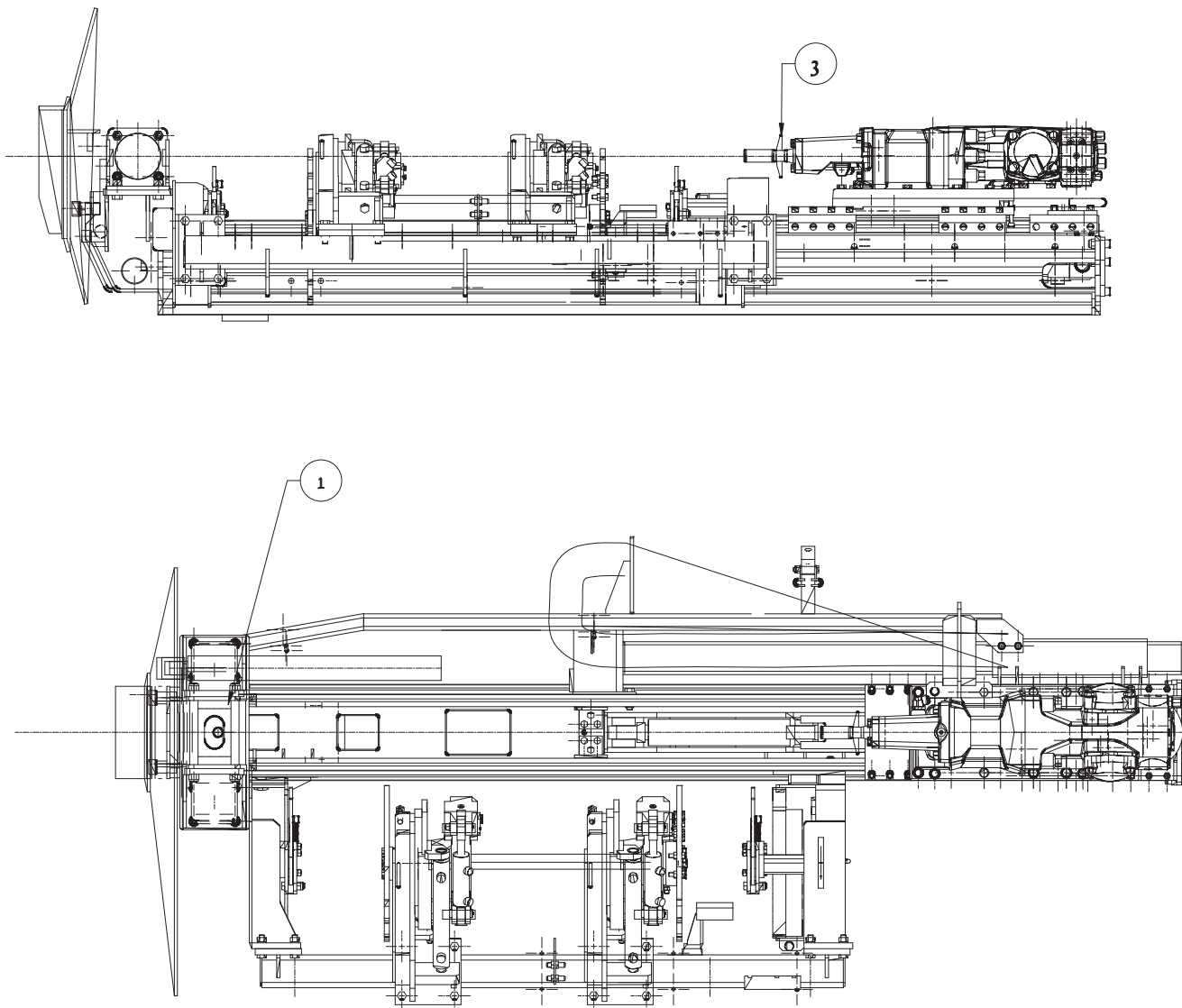
**0/1/ 7631 6460****CYLINDER D:63/45 S:600  
VÉRIN D:63/45 C:600****@.7**

<b>REP. ITEM</b>	<b>REFERENCE PART NB.</b>	<b>QTE. QTY.</b>	<b>DESIGNATION</b>	<b>DESCRIPTION</b>
1	73730246	1	ELASTIC PIN D:6x40	GOUPILLE ÉLASTIQUE D:6x40
2	75133157	1	PISTON	PISTON
3	75463233	1	GUIDE	GUIDE
4	75622195	1	CYLINDER ROD	TIGE DE VÉRIN
5	78401935	1	SEAL KIT	KIT DE JOINTS

7701 7679

**DRILLING PARTS SET**  
**LOT MODE DE FORATION**

@.5



SANDVIK MINING AND CONSTRUCTION LYON S.A.S.  
19, av. De Lattre de Tassigny  
B.P. 46 - 69881 MEYZIEU cedex, FRANCE  
Tel: +33 (0)4 72 45 22 00 Fax: +33 (0)4 78 31 79 80

**1 7701 7679****DRILLING PARTS SET  
LOT MODE DE FORATION****@.5**

---

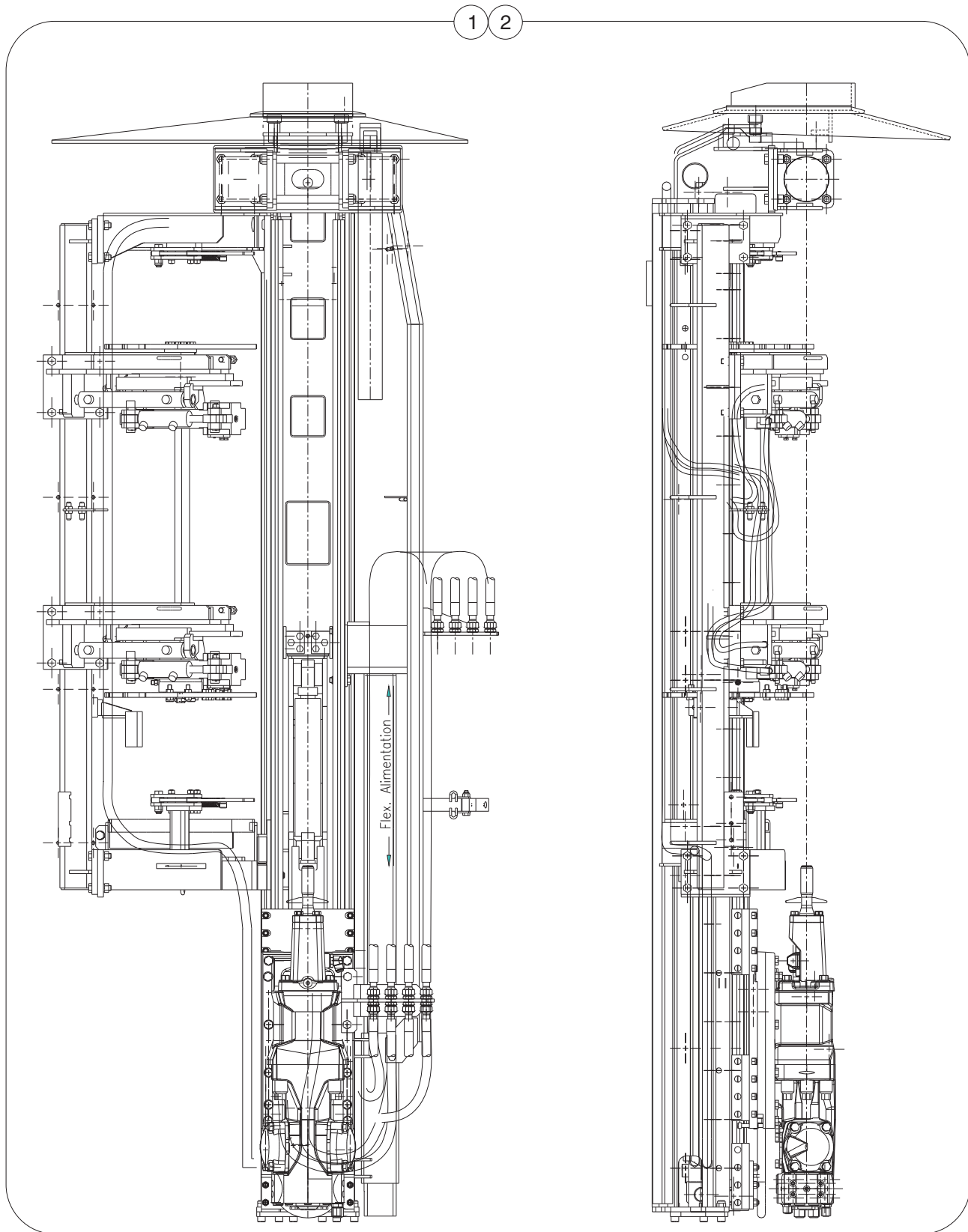
<b>REP. ITEM</b>	<b>REFERENCE PART NB.</b>	<b>QTE. QTY.</b>	<b>DESIGNATION</b>	<b>DESCRIPTION</b>
1	70460698	2	ROD CLAMP HALF GUIDE FOR ROD HEX35	<i>DEMI GUIDE PINCE MECHE BARRE HEX35</i>
3	70271115	1	PROTECTOR D:38	<i>PROTECTEUR D:38</i>

---

7701 0127

LHF 2005 HOSES EQUIPMENT  
ÉQUIPEMENT FLEXIBLES LHF 2005

A.3





**1****7701 0127****LHF 2005 HOSES EQUIPMENT  
ÉQUIPEMENT FLEXIBLES LHF 2005****A.3**

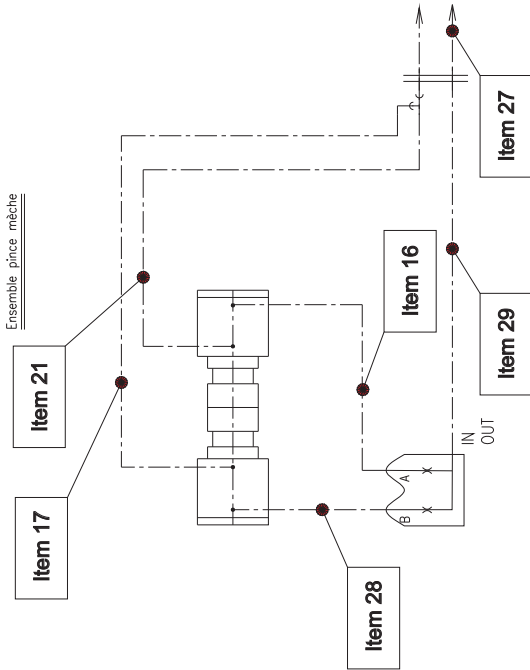
<b>REP. ITEM</b>	<b>REFERENCE PART NB.</b>	<b>QTE. QTY.</b>	<b>DESIGNATION</b>	<b>DESCRIPTION</b>
1	<b>77010129</b>	1	DRILL FEED HOSES SET	LOT DE FLEXIBLES GLISSIÈRE
2	<b>77010074</b>	1	PARTS SET	LOT DE PIÈCES

**Bold Part Nb: Separate parts list / Référence en gras: Nomenclature séparée**

7701 0129

DRILL FEED HOSES SET  
LOT DE FLEXIBLES GLISSIERE

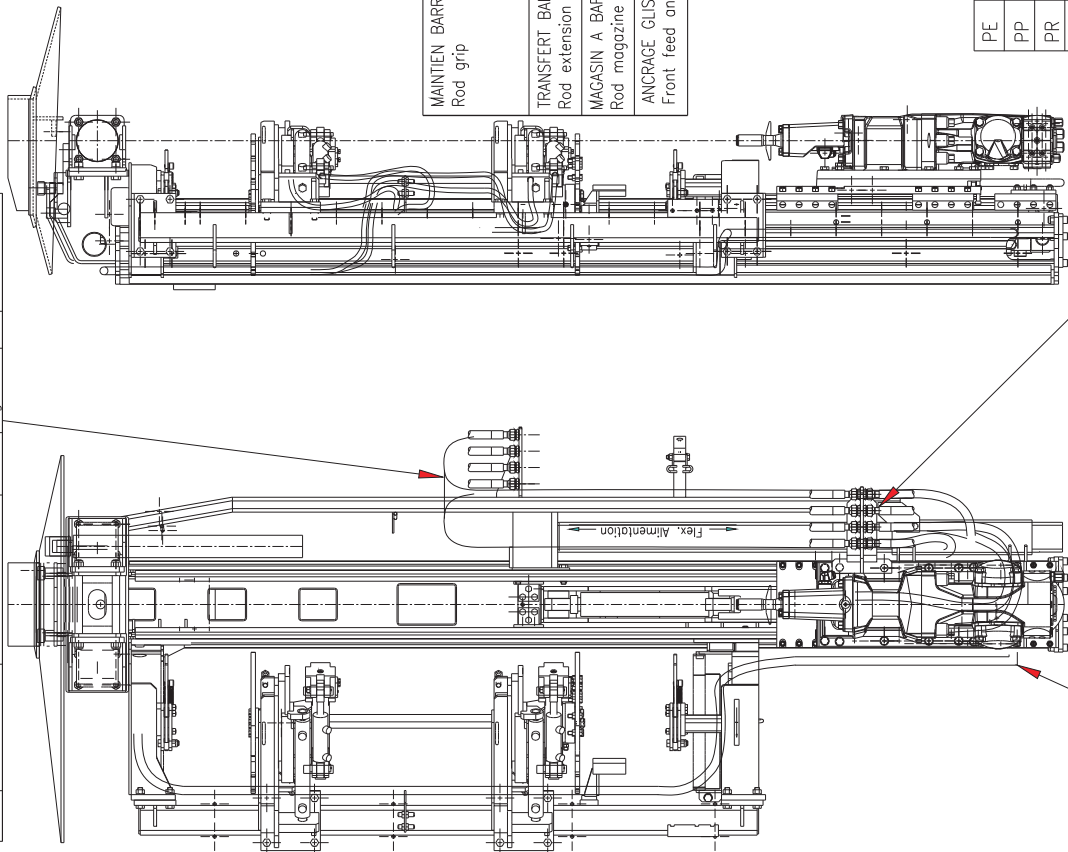
A.13



MAINTIEN BARRE Rod grip	Vérin Cylinder	AV.	M6	Lg.600	1	Item 18	Té Jic / Jic	M6	Lg.3300	1	Item 26
	Vérin Cylinder	AR.	M6	Lg.1100	1	Item 19	Té Jic / Jic	M6	Lg.3300	1	Item 26
TRANSFERT BARRE Rod extension handler	Vérin Cylinder	AV.	M6	Lg.500	2	Item 22	Té Jic / Jic	M6	Lg.3300	2	Item 26
	Vérin rotatif Actuator	AR.	M6	Lg.550	2	Item 23	Valve d'équilibrage Overcenter valve	M6	Lg.3600	1	Item 24
MAGASIN A BARRES Rod magazine rotation	Vérin Cylinder	AV.	M6	Lg.400	1	Item 30	Jic / Jic	M6	Lg.3850	1	Item 25
ANCRAGE GLISSIERE AV. Front feed anchor	Vérin Cylinder	AR.	M6	Lg.750	1	Item 19					
			M6	Lg.1400	1	Item 17					

PE	Power Ext	Power Extractor	in	M6	Lg.700	1	Item 32
PP	Frappe	Percussion	in	M12	Lg.700	2	Item 9
PR	Retour	Percussion	out	M10	Lg.700	2	Item 10
A	Pressurisation	Shank lubrication	M8	Lg.750	1	Item 11	
E	Eau	Water flush	M12	Lg.600	1	Item 12	

PE	Power Ext	Power Extractor	in	M6	Lg.1500	1	Item 31
RP	Rotation	"p"	in	M10	Lg.1500	1	Item 3
RR	Rotation	"r"	out	M10	Lg.1700	1	Item 1
PP	Frappe	Percussion	in	M12	Lg.1500	1	Item 4
PR	Retour	Percussion	out	M12	Lg.1750	1	Item 2
E	Eau	Water flush	M12	Lg.1750	1	Item 2	
A	Pressurisation	Shank lubrication	M10	Lg.1500	1	Item 3	



P	Poussée	P	M10	Lg.5250	2	Item 13
---	---------	---	-----	---------	---	---------



0/1/

7701 0129

**DRILL FEED HOSES SET**  
**LOT DE FLEXIBLES GLISSIÈRE**

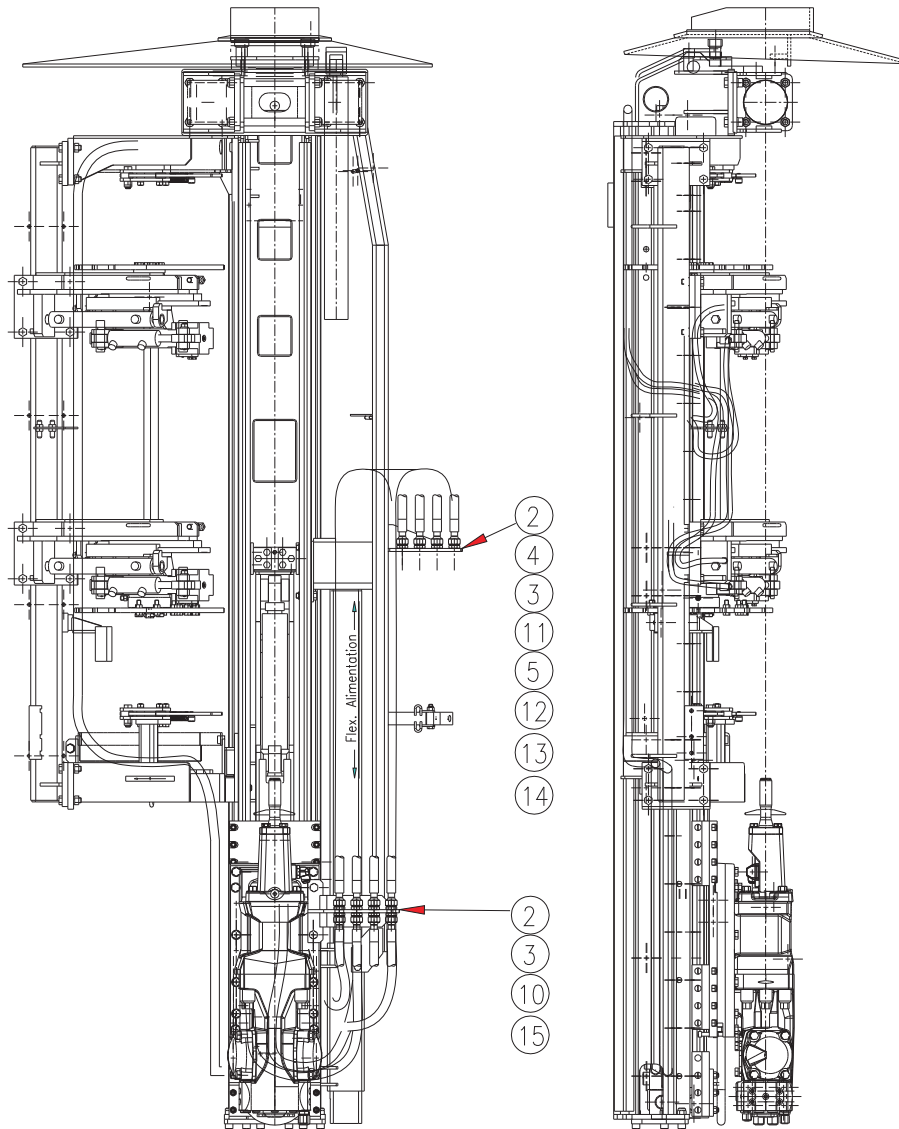
A.13

REP. ITEM	REFERENCE PART NB.	QTE. QTY.	DESIGNATION	DESCRIPTION
1	73827829	1	HOSE 4SP M10 LG:1700	FLEXIBLE 4SP M10 LG:1700
2	73827507	2	HOSE 4SH M12 LG:1750	FLEXIBLE 4SH M12 LG:1750
3	77011113	2	HOSE 4SP M10 LG:1500	FLEXIBLE 4SP M10 LG:1500
4	73826815	1	HOSE 4SH M12 LG:1500	FLEXIBLE 4SH M12 LG:1500
9	73826808	2	HOSE 4SH M12 LG:700	FLEXIBLE 4SH M12 LG:700
10	73827825	2	HOSE 4SP M10 LG:700	FLEXIBLE 4SP M10 LG:700
11	73822555	1	HOSE 2SC M8 3/4 LG:700	FLEXIBLE 2SC M8 3/4 LG:700
12	73827454	1	HOSE 2SC A,A M12 LG:600	FLEXIBLE 2SC A,A M12 LG:600
13	73827321	2	HOSE 2SC A,A M10 LG:5250	FLEXIBLE 2SC A,A M10 LG:5250
16	73827156	1	HOSE 2SC M6 LG:800	FLEXIBLE 2SC M6 LG:800
17	73827162	2	HOSE 2SC M6 LG:1400	FLEXIBLE 2SC M6 LG:1400
18	73827154	1	HOSE 2SC M6 LG:600	FLEXIBLE 2SC M6 LG:600
19	73827103	2	HOSE 2SC M6 LG:750	FLEXIBLE 2SC M6 LG:750
20	73827159	1	HOSE 2SC M6 LG:1100	FLEXIBLE 2SC M6 LG:1100
21	73827158	2	HOSE 2SC M6 LG:1000	FLEXIBLE 2SC M6 LG:1000
22	73827153	2	HOSE 2SC M6 LG:500	FLEXIBLE 2SC M6 LG:500
23	73827113	2	HOSE 2SC M6 LG:550	FLEXIBLE 2SC M6 LG:550
24	73827116	1	HOSE 2SC M6 LG:3600	FLEXIBLE 2SC M6 LG:3600
25	73827100	1	HOSE 2SC M6 LG:3850	FLEXIBLE 2SC M6 LG:3850
26	77010256	4	HOSE 2SC M6 LG:3300	FLEXIBLE 2SC M6 LG:3300
27	73827108	2	HOSE 2SC M6 LG:650	FLEXIBLE 2SC M6 LG:650
28	73827102	1	HOSE 2SC M6 LG:450	FLEXIBLE 2SC M6 LG:450
29	73827161	1	HOSE 2SC M6 LG:1300	FLEXIBLE 2SC M6 LG:1300
30	73827152	2	HOSE 2SC M6 LG:400	FLEXIBLE 2SC M6 LG:400
31	73828015	1	HOSE 4SP M6 LG:1500	FLEXIBLE 4SP M6 LG:1500
32	73828007	1	HOSE 4SP M6 LG:700	FLEXIBLE 4SP M6 LG:700

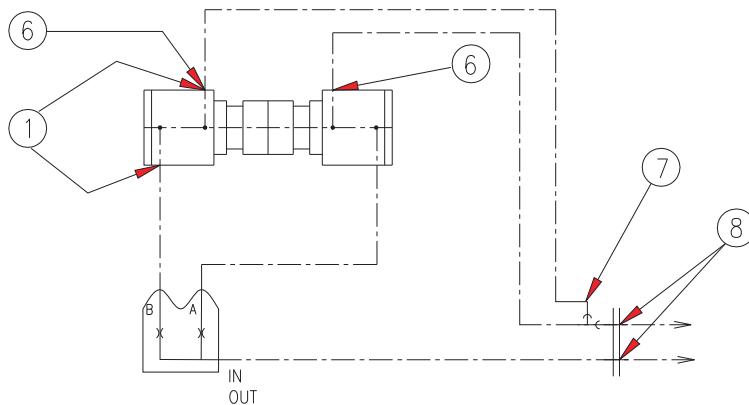
7701 0074

**PARTS SET**  
**LOT DE PIÈCES**

**A.14**



Ensemble pince mèche / Rod clamp



0/1/ 7701 0074

**PARTS SET  
LOT DE PIÈCES****A.14**

REP. ITEM	REFERENCE PART NB.	QTE. QTY.	DESIGNATION	DESCRIPTION
1	86716379	4	STRAIGHT FITTING M/M 9/16JIC-9/16SAE	ADAPTEUR DROIT M/M 9/16JIC-9/16SAE
2	73808406	4	STRAIGHT FITTING M/M 7/8JIC	ADAPTEUR DROIT M/M 7/8JIC
3	73808408	5	BULKHEAD FITTING M/M 1"1/16JIC	TRAVERSÉE DE CLOISON M/M 1"1/16JIC
4	73808409	3	STRAIGHT FITTING M/M 1"5/16JIC	ADAPTEUR DROIT M/M 1"5/16JIC
5	85339959	3	TUBE END REDUCER F/M 1"5/16JIC-1"1/16JIC	RÉDUCTEUR D'EMBOUT F/M 1"5/16JIC-1"1/16JIC
6	85381359	2	45° FITTING M/F 9/16JIC	ADAPTEUR 45° M/F 9/16JIC
7	81718079	2	90° FITTING M/F 9/16JIC	ADAPTEUR 90° M/F 9/16JIC
8	73808402	2	STRAIGHT FITTING M/M 9/16JIC	ADAPTEUR DROIT M/M 9/16JIC
--	81671909	2	TEE FITTING M/M/F 9/16JIC	ADAPTEUR TE M/M/F 9/16JIC
10	81716749	1	STRAIGHT FITTING F/M 7/8JIC-3/4JIC	ADAPTEUR DROIT F/M 7/8JIC-3/4JIC
11	85340059	2	STRAIGHT FITTING F/M 1"1/16JIC-7/8JIC	ADAPTEUR DROIT F/M 1"1/16JIC-7/8JIC
12	81674789	1	BULKHEAD FITTING M/M 7/8JIC	TRAVERSÉE DE CLOISON M/M 7/8JIC
13	85378009	2	TUBE END REDUCER F/M 9/16JIC-3/4JIC	RÉDUCTEUR D'EMBOUT F/M 9/16JIC-3/4JIC
14	81672769	2	TUBE END REDUCER F/M 7/8JIC-9/16JIC	RÉDUCTEUR D'EMBOUT F/M 7/8JIC-9/16JIC
15	81723879	1	BULKHEAD FITTING M/M 9/16JIC	TRAVERSÉE DE CLOISON M/M 9/16JIC

**-- Not Shown / -- Non Représenté**



SANDVIK MINING AND CONSTRUCTION LYON S.A.S.  
19, av. De Lattre de Tassigny  
B.P. 46 - 69881 MEYZIEU cedex, FRANCE  
Tel: +33 (0)4 72 45 22 00 Fax: +33 (0)4 78 31 79 80

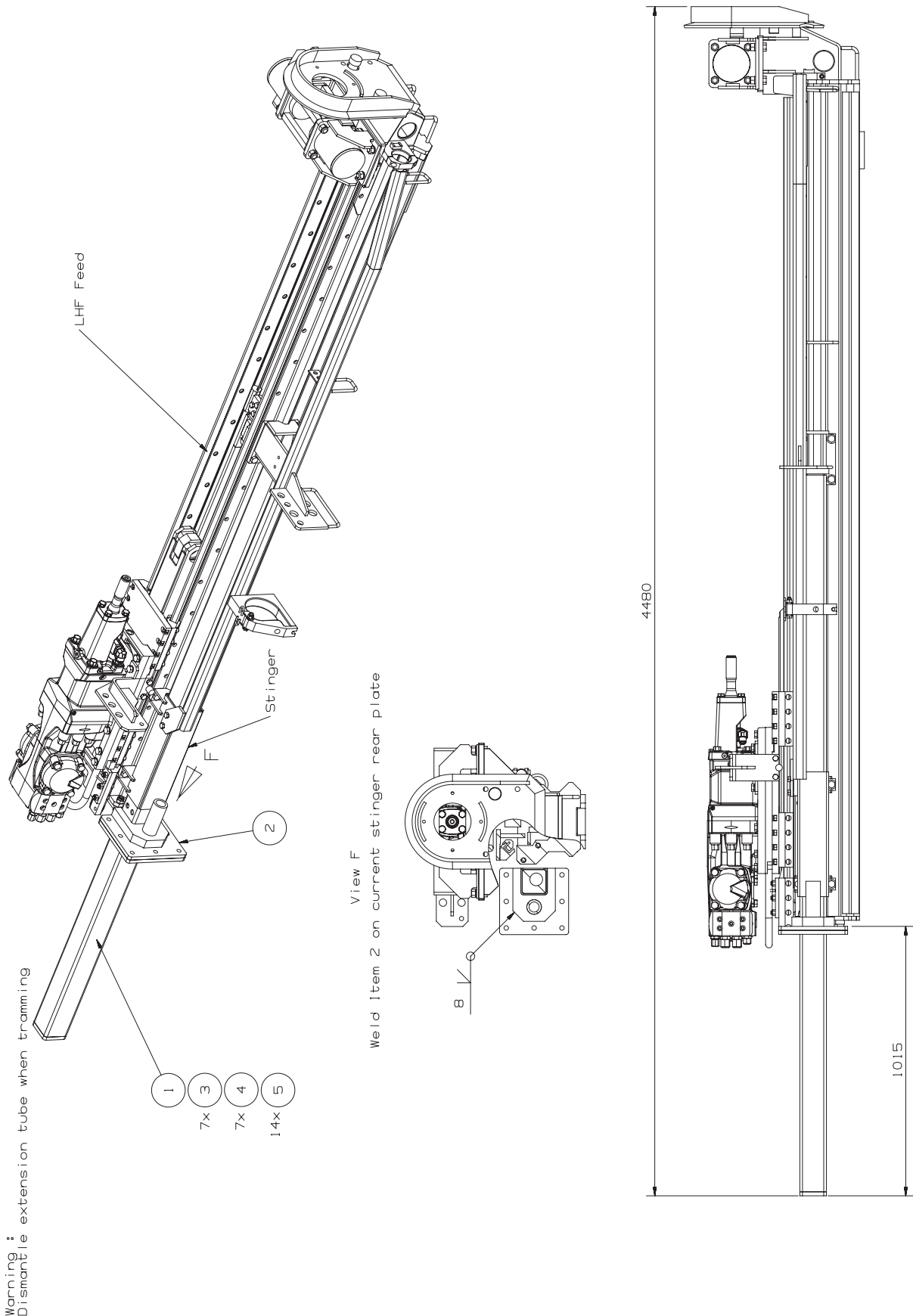
**STINGER EXTENSION LHF**  
***EXTENSION ÉTANÇON LHF***  
**7702 2320**

# **SPARE PARTS**

7702 2320

STINGER EXTENSION LHF  
EXTENSION ÉTANÇON LHF

@.5





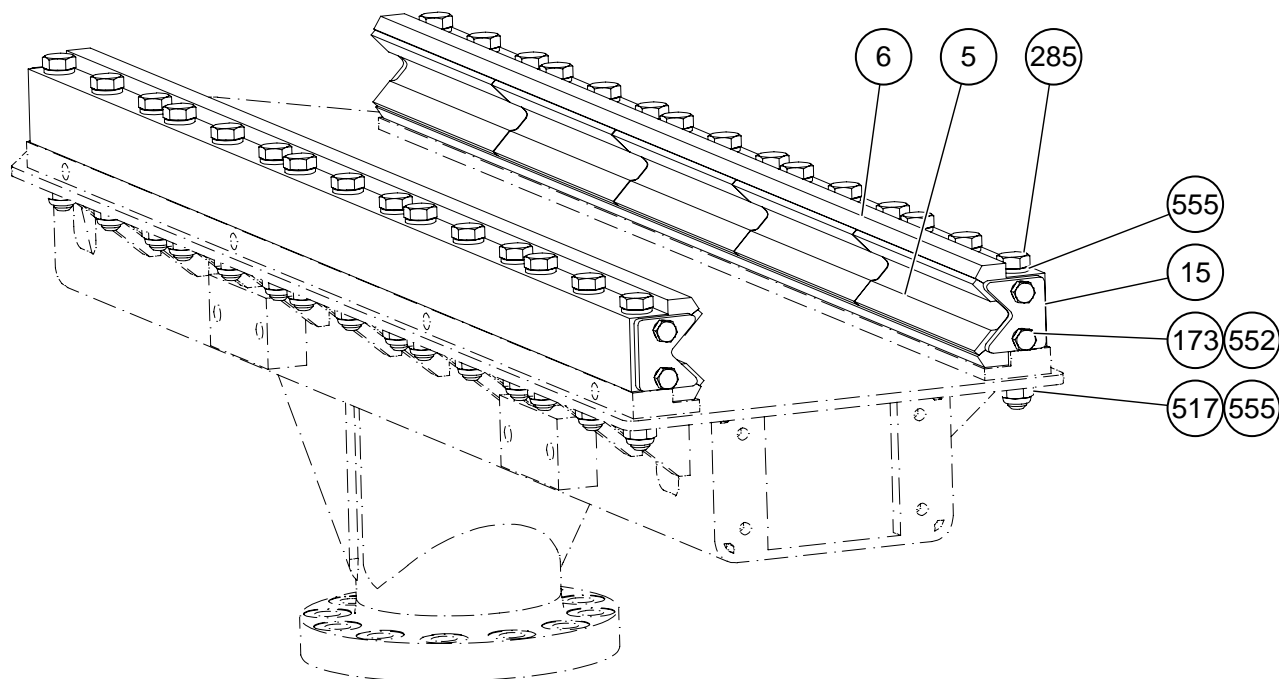
**1 7702 2320****STINGER EXTENSION LHF  
EXTENSION ÉTANÇON LHF****@.5**

<b>REP. ITEM</b>	<b>REFERENCE PART NB.</b>	<b>QTE. QTY.</b>	<b>DESIGNATION</b>	<b>DESCRIPTION</b>
1	77022322	1	STINGER EXTENSION 1M LHF	<i>EXTENSION ETANCON 1M LHF</i>
2	77022321	1	FIXING STINGER PLATE	PLAQUE DE FIXATION ÉTANÇON
3	80046999	7	SCREW H M16X60	VIS H M16X60
4	80048509	7	NUT H M16	ECROU H M16
5	85068749	14	WASHER M16 NORD LOCK	RONDELLE M16 NORD LOCK



SANDVIK MINING AND CONSTRUCTION LYON S.A.S.  
19, av. De Lattre de Tassigny  
B.P. 46 - 69881 MEYZIEU cedex, FRANCE  
Tel: +33 (0)4 72 45 22 00 Fax: +33 (0)4 78 31 79 80

# SPARE PARTS



Ref.	Part no.	Description EN	Standard designation	Qty
5	330 016 98	SLIDE PIECE	TF AND TFX SLIDE PIECE	10
6	321 557 78	FRAME STRIP	-	2
15	208 353 08	PLATE	For 90 degrees slide pieces	4
173	800 460 49	HEXAGON HEAD SCREW	M10x25 - 8.8 nord-lock	8
285	442 221 70	HEXAGON HEAD BOLT	M16x120 - 8.8	30
517	811 259 69	LOCK NUT	M16 - 8	30
552	851 282 09	DOUBLE LOCK WASHER	M10	8
555	850 687 49	DOUBLE LOCK WASHER	M16	60