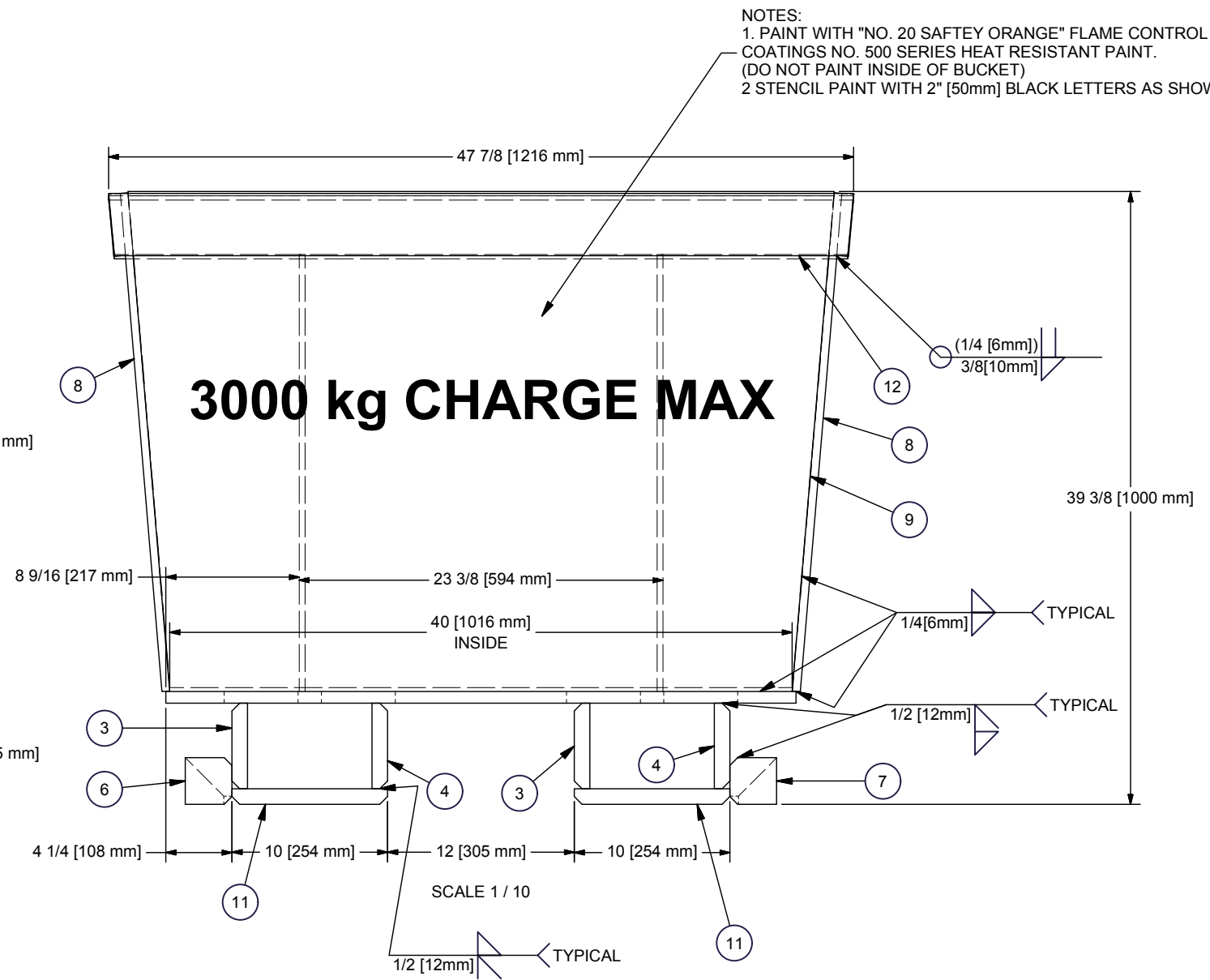
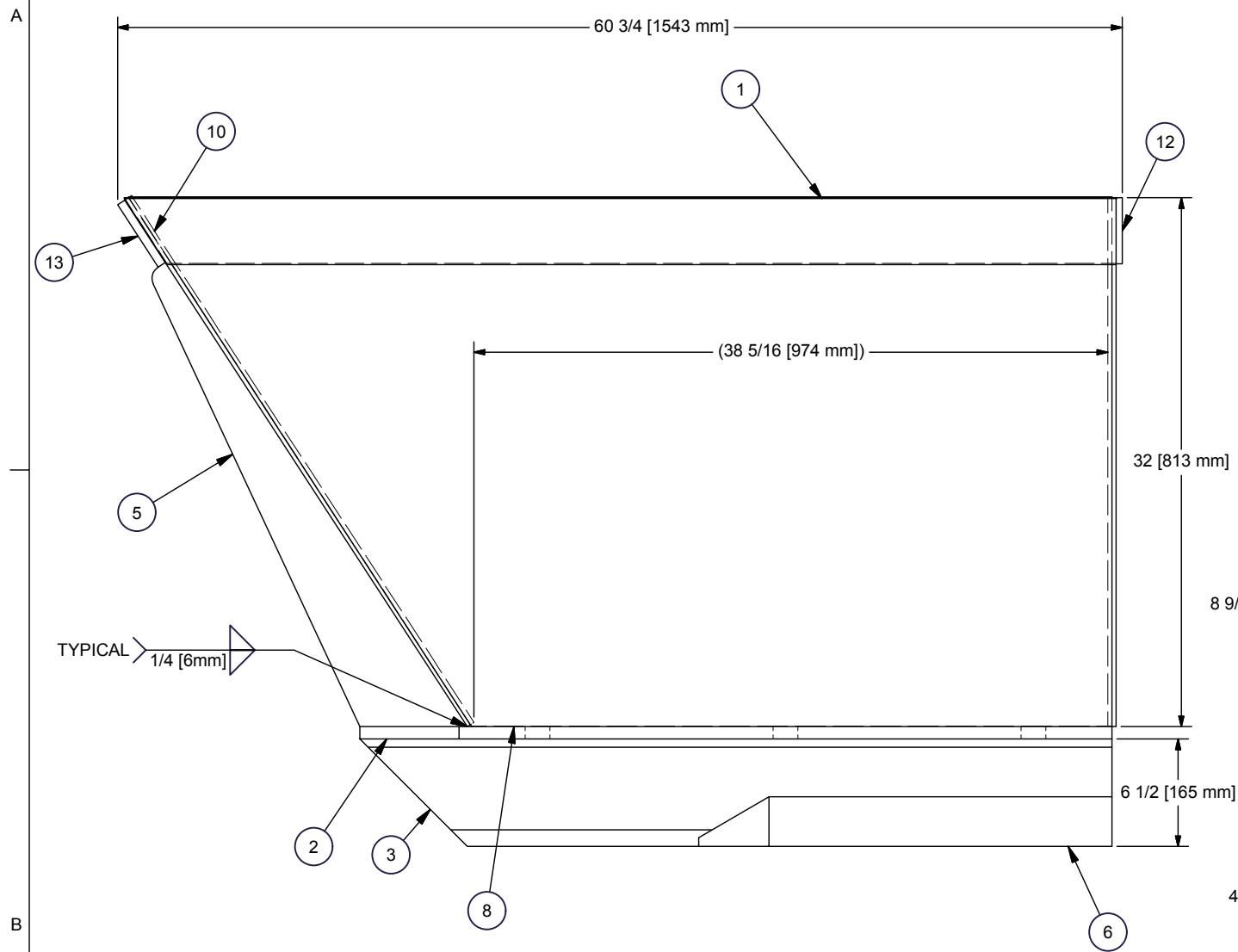


ITEM	QTY	PART NUMBER	DESCRIPTION	WT [LB]
1	2	482210-041-01	PLATE	50.0
2	1	482210-041-02	PLATE	366.6
3	2	482210-041-03	BAR, FLAT	63.7
4	2	482210-041-04	BAR, FLAT	63.7
5	2	482210-041-05	PLATE	11.6
6	1	482210-041-06	BAR	55.8
7	1	482210-041-07	BAR	55.8
8	2	482210-041-08	PLATE	224.1
9	1	482210-041-09	PLATE	193.9
10	1	482210-041-10	PLATE	230.3
11	2	482210-041-11	PLATE	109.4
12	1	482210-041-12	PLATE	20.2
13	1	482210-041-13	PLATE	30.3



NOTES:
 1. PAINT WITH "NO. 20 SAFTEY ORANGE" FLAME CONTROL COATINGS NO. 500 SERIES HEAT RESISTANT PAINT. (DO NOT PAINT INSIDE OF BUCKET)
 2. STENCIL PAINT WITH 2" [50mm] BLACK LETTERS AS SHOWN.

REL	REV	ZONE	SHEET	DATE	BY	DESCRIPTION
R0				5/3/2013	RRS	RELEASE

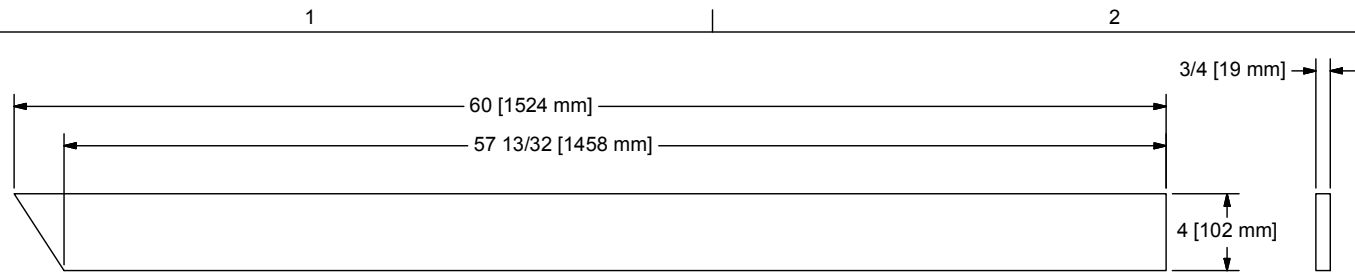
SOUTHWIRE COMPANY
SCR® TECHNOLOGIES
 CARROLLTON GA. U.S.A.
 PHONE 770-832-4242 FAX 770-838-6600

UNLESS OTHERWISE SPECIFIED TOLERANCES ARE:			
FRACTIONS	FAB.	MACHINE	ANGLES
+/- 1/16	[1.6mm]	+/- 1/64	[0.4mm]
DEC. .XX		+/- .01	[0.25mm]
DEC. .XXX		+/- .005	[0.13mm]
SCREW HOLE LOCATION +/- 1/32 [0.8mm]			

DRAWN BY: DBC
 THIRD ANGLE PROJECTION
 THIS DRAWING IS THE PROPERTY OF SOUTHWIRE COMPANY AND CONTAINS CONFIDENTIAL INFORMATION. NO COPIES MAY BE MADE WITHOUT THE PERMISSION OF SOUTHWIRE COMPANY.

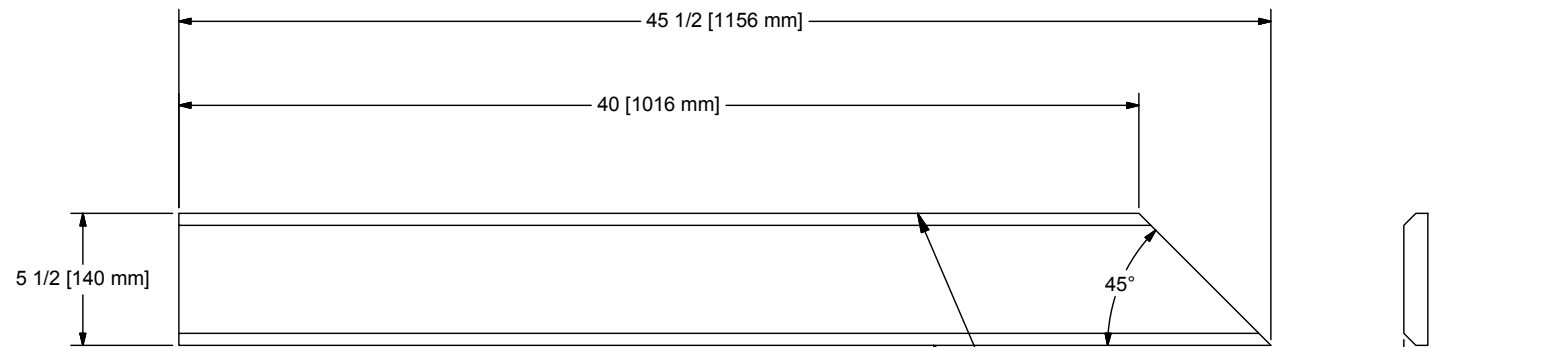
TITLE: CROP BAR BUCKET
 DRAWING: 482210-041
 SHEET 1 OF 4

REL.	R0



SCALE 1 / 10

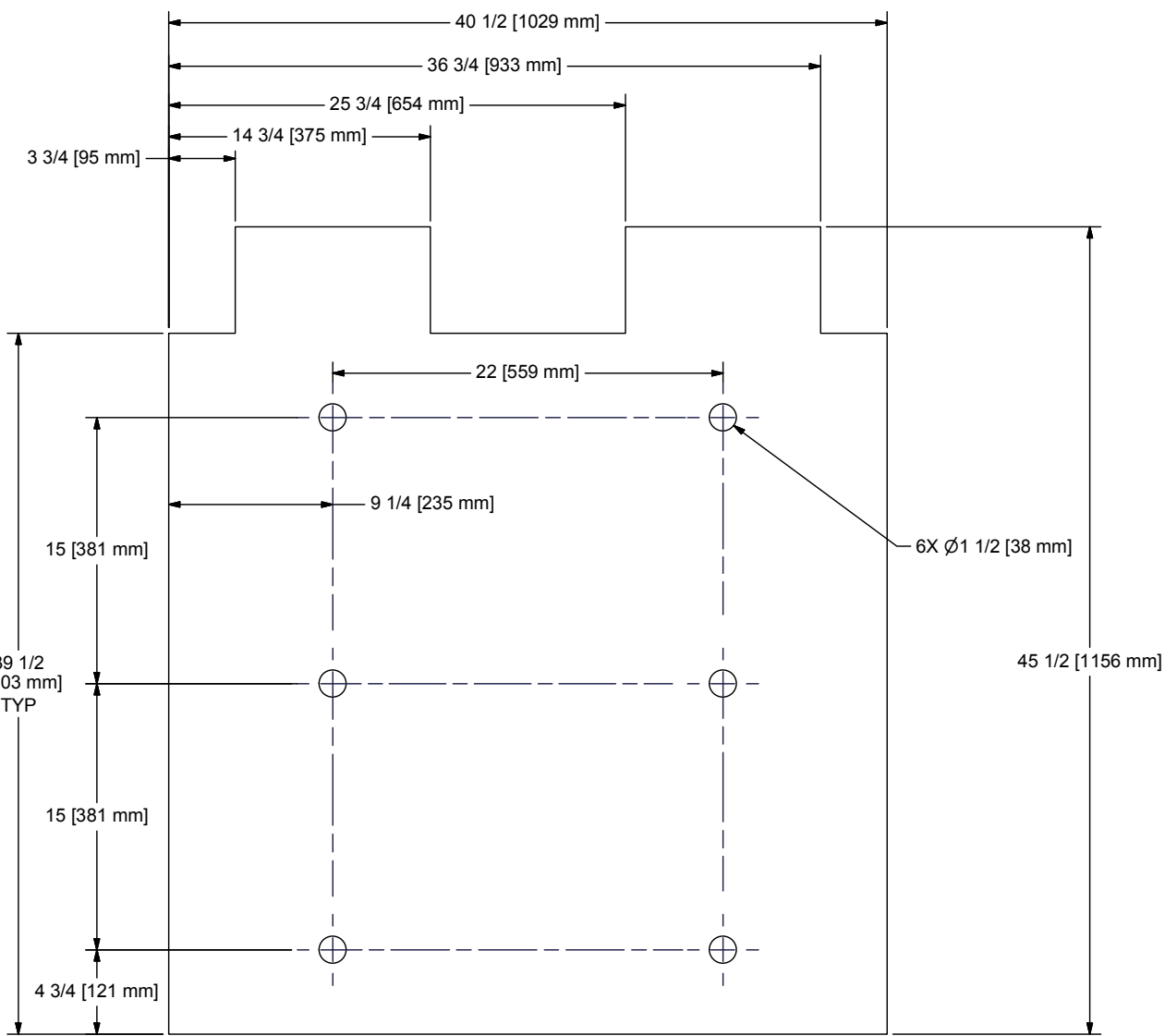
P/N: 482210-041-01
MATL: HRS



SCALE 1 / 8

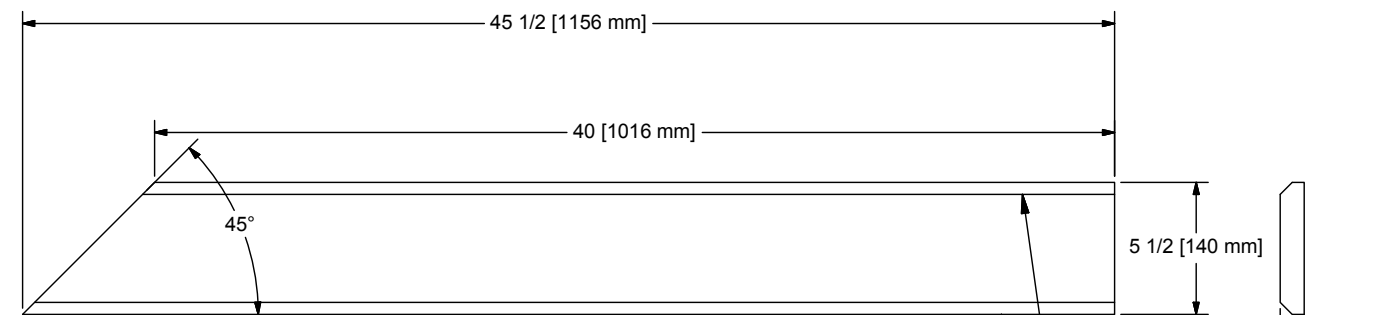
P/N: 482210-041-03
MATL: HRS

1/2 [13mm] X 45° WELD PREP



SCALE 1 / 10

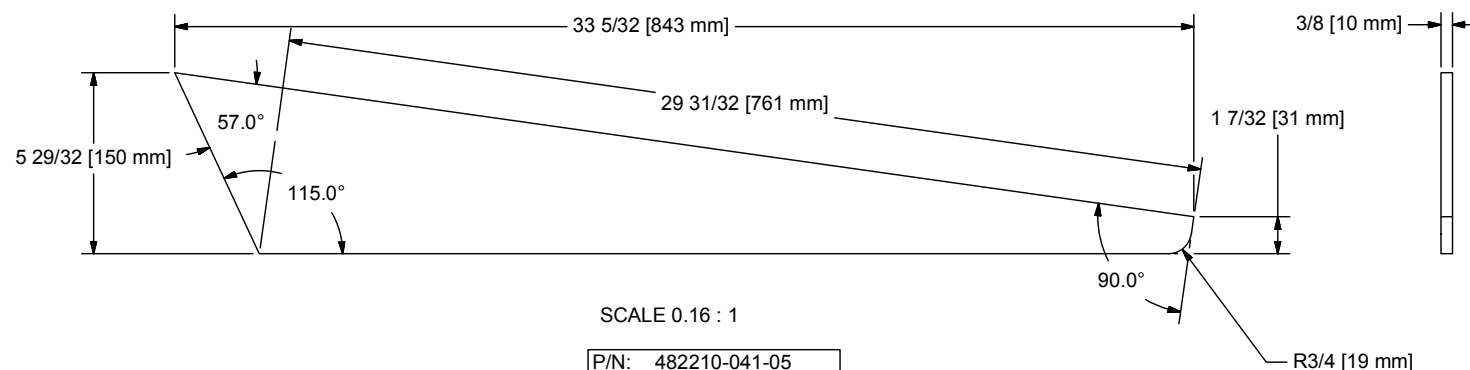
P/N: 482210-041-02
MATL: HRS



SCALE 1 / 8

P/N: 482210-041-04
MATL: HRS

1/2 [13mm] X 45° WELD PREP



SCALE 0.16 : 1

P/N: 482210-041-05
MATL: HRS

SOUTHWIRE COMPANY
SCR® TECHNOLOGIES
CARROLLTON GA. U.S.A.
PHONE 770-832-4242 FAX 770-838-6600

UNLESS OTHERWISE SPECIFIED TOLERANCES ARE:			
	FAB.	MACHINE	ANGLES
FRACTIONS	+/- 1/16 [1.6mm]	+/- 1/64 [0.4mm]	+/- 1 DEG.
DEC. .XX		+/- .01 [0.25mm]	
DEC. .XXX		+/- .005 [0.13mm]	
SCREW HOLE LOCATION	+/- 1/32 [0.8mm]		

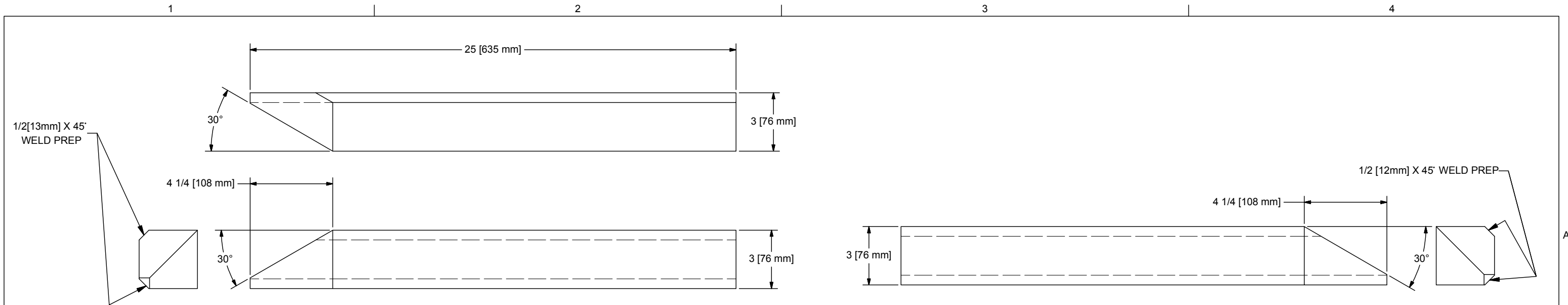
DRAWN BY:
DBC



TITLE:
CROP BAR BUCKET

THIS DRAWING IS THE PROPERTY OF SOUTHWIRE COMPANY AND CONTAINS CONFIDENTIAL INFORMATION. NO COPIES MAY BE MADE WITHOUT THE PERMISSION OF SOUTHWIRE COMPANY.

DRAWING: 482210-041	REL. R0
SHEET 2 OF 4	

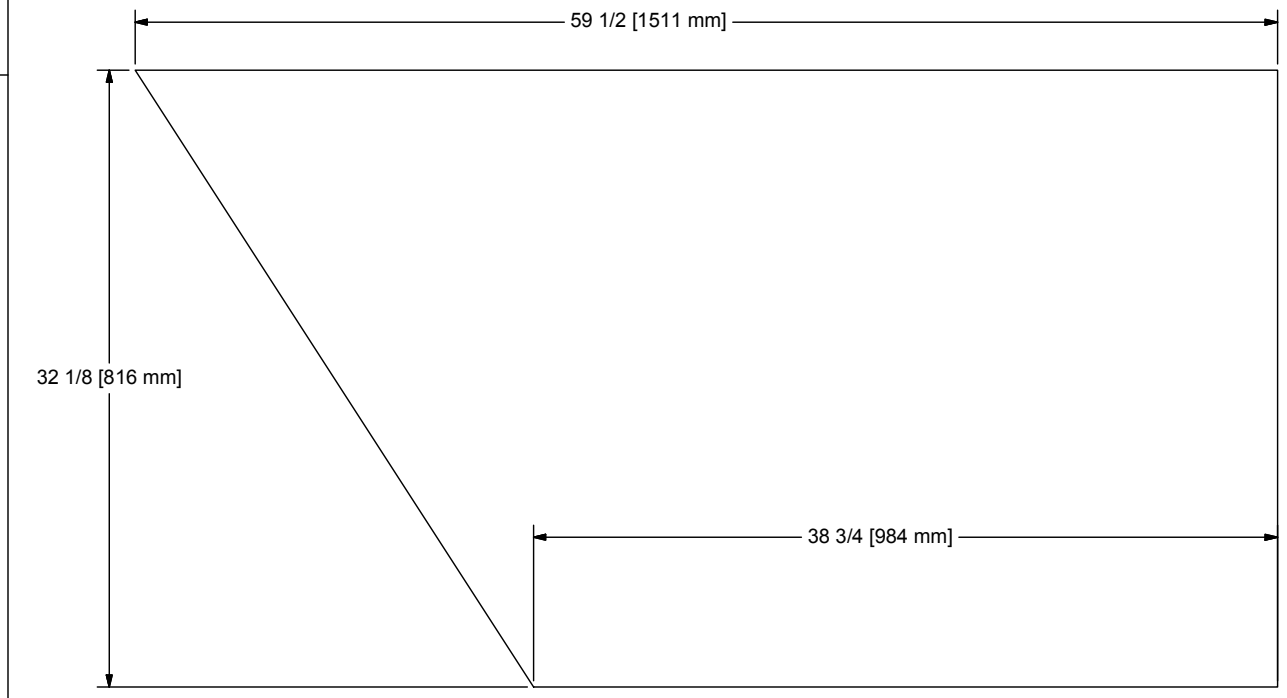


SCALE 1 / 5

P/N: 482210-041-06
MATL: HRS

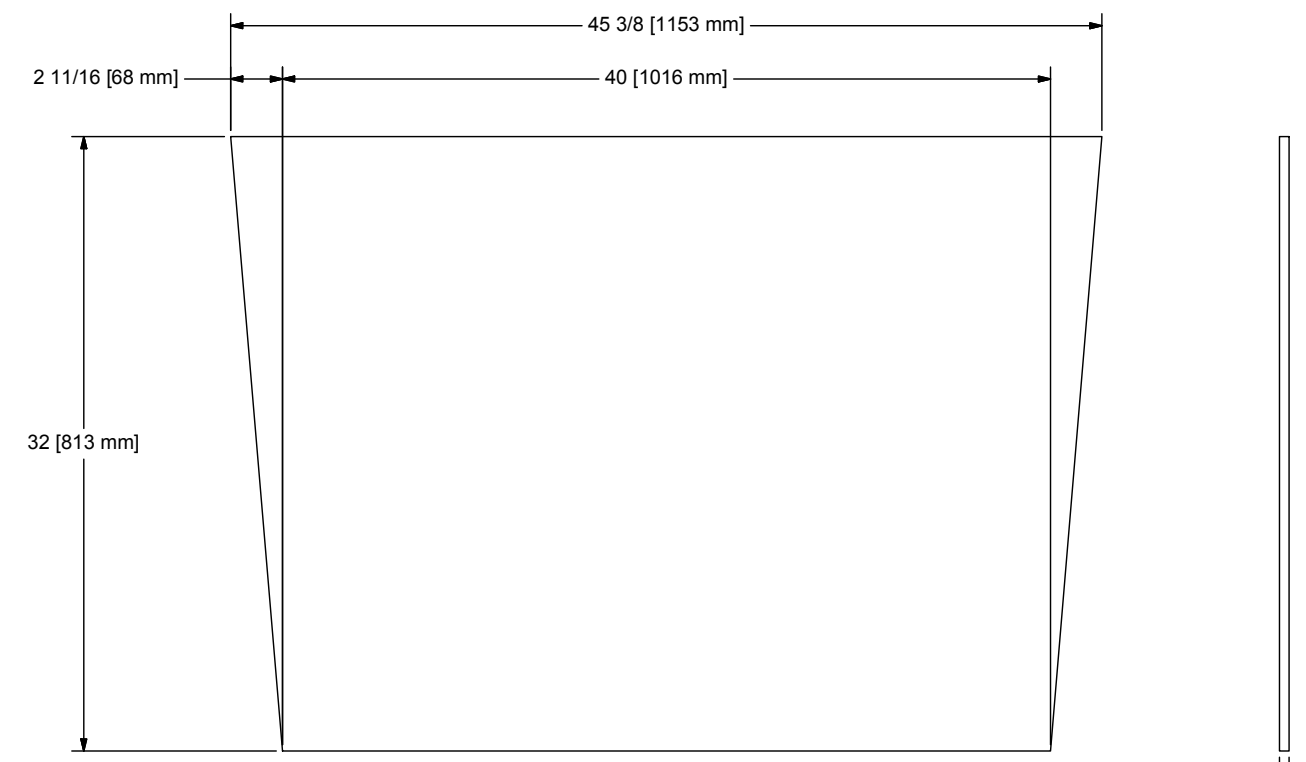
SCALE 1 / 5

P/N: 482210-041-07
MATL: HRS



SCALE 1 / 10

P/N: 482210-041-08
MATL: HRS



SCALE 1 / 10

P/N: 482210-041-09
MATL: HRS

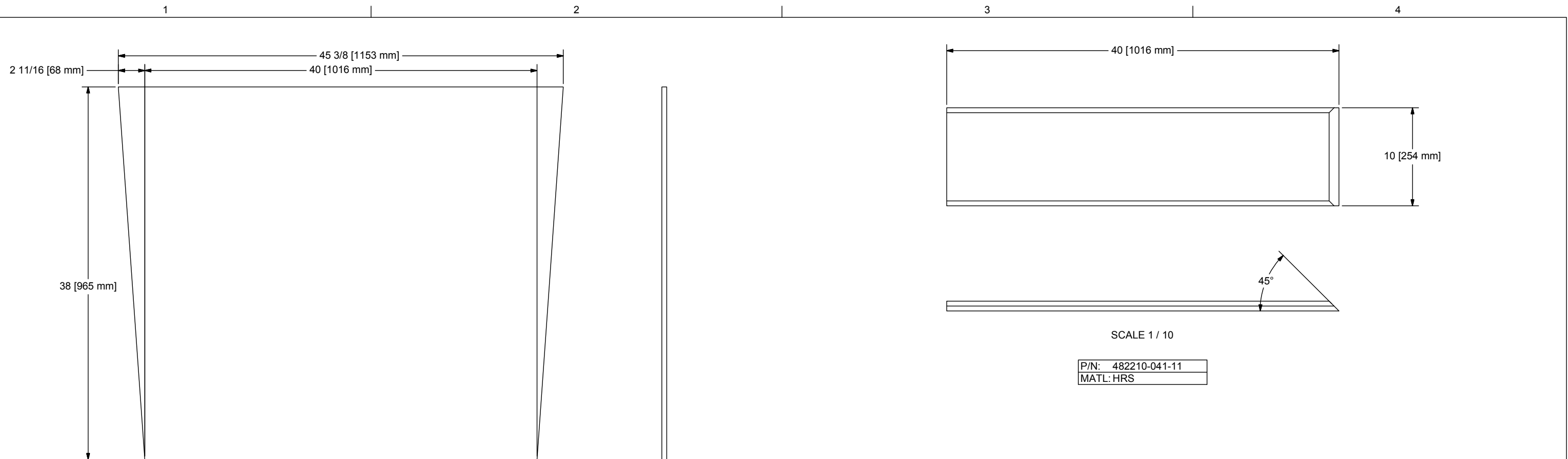
R0				5/3/2013	RRS	RELEASE
REL.	REV.	ZONE	SHEET	DATE	BY	DESCRIPTION

SOUTHWIRE COMPANY
SCR® TECHNOLOGIES
CARROLLTON GA. U.S.A.
PHONE 770-832-4242 FAX 770-838-6600

UNLESS OTHERWISE SPECIFIED TOLERANCES ARE:			
FRACTIONS	FAB. +/- 1/16 [1.6mm]	MACHINE +/- 1/64 [0.4mm]	ANGLES +/- 1 DEG.
DEC. .XX		+/- .01 [0.25mm]	
DEC. .XXX		+/- .005 [0.13mm]	
SCREW HOLE LOCATION +/- 1/32 [0.8mm]			

DRAWN BY: DBC
THIS DRAWING IS THE PROPERTY OF SOUTHWIRE COMPANY AND CONTAINS CONFIDENTIAL INFORMATION. NO COPIES MAY BE MADE WITHOUT THE PERMISSION OF SOUTHWIRE COMPANY.

TITLE: CROP BAR BUCKET
DRAWING: 482210-041
REL. R0
SHEET 3 OF 4



SCALE 1 / 10

SCALE 1 / 10

P/N: 482210-041-10
MATL: HRS

P/N: 482210-041-10
MATL: HRS

1/2 [13 mm]



SCALE 1 / 10

SCALE 1 / 10

P/N: 482210-041-12
MATL: HRS

P/N: 482210-041-12
MATL: HRS

3/8 [10 mm]

3/8 [10 mm]
TYP

SOUTHWIRE COMPANY SCR® TECHNOLOGIES CARROLLTON GA. U.S.A. PHONE 770-832-4242 FAX 770-838-6600	UNLESS OTHERWISE SPECIFIED TOLERANCES ARE:			DRAWN BY: DBC	 THIRD ANGLE PROJECTION	TITLE: CROP BAR BUCKET	THIS DRAWING IS THE PROPERTY OF SOUTHWIRE COMPANY AND CONTAINS CONFIDENTIAL INFORMATION. NO COPIES MAY BE MADE WITHOUT THE PERMISSION OF SOUTHWIRE COMPANY.	DRAWING: 482210-041	REL. R0		
	FRACTIONS	+/- 1/16 [1.6mm]	+/- 1/64 [0.4mm]							ANGLES	+/- 1 DEG.
	DEC. .XX		+/- .01 [0.25mm]								
	DEC. .XXX		+/- .005 [0.13mm]								
	SCREW HOLE LOCATION	+/- 1/32 [0.8mm]									

DRAWING: 482210-041
REL. R0
SHEET 4 OF 4